

Specifications.

BMW 4 Series Coupe.

420i, 430i.



		BMW 420i Coupe	BMW 430i Coupe
Body			
No of doors / seats		2 / 4	2 / 4
Length / width / height (unladen)	mm	4640 / 1825 / 1377	4640 / 1825 / 1377
Wheelbase	mm	2810	2810
Track, front / rear	mm	1547 / 1593	1547 / 1593
Ground clearance	mm	130	130
Turning circle	m	11.3	11.3
Fuel tank capacity	approx. l	60	60
Engine oil ¹⁾	l	5.25	5.25
Weight, unladen, to DINEU	kg	1475 / 1550 (1495 / 1570)	1490 / 1565 (1510 / 1585)
Max load to DIN	kg	520	520
Max permissible weight	kg	1995 (2015)	2010 (2030)
Max axle load, front / rear	kg	940 / 1115	940 / 1130
Max trailer load, braked (12%) / unbraked	kg	1400 (1500) / 695	1600 / 745
Max roofload / max towbar download	kg	75 / 75	75 / 75
Luggage comp capacity	l	445	445
Air resistance	cd x A	0.29 x 2.16	0.29 x 2.16
Power Unit			
Config/No of cyls/valves		In-line/4/4	In-line/4/4
Engine technology		BMW TwinPower Turbo technology with TwinScroll turbocharger, High Precision Direct Injection, VALVETRONIC fully variable valve control und Double-VANOS variable camshaft timing	
Effective capacity	cc	1998	1998
Stroke / bore	mm	94.6 / 82.0	94.6 / 82.0
Compression ratio	:1	11.0	10.2
Fuel		RON 90 – 98	RON 90 – 98
Recommended fuel		RON 95	RON 95
Max output	kW/hp	135 / 184	185 / 252
at	rpm	5000	5200
Max torque	Nm/lb-ft	290/214 (270/199)	350/258
at	rpm	1350 – 4600	1450 – 4800
Electrical System			
Battery/installation	Ah/-	80 / Luggage compartment	80 / Luggage compartment
Driving Dynamics and Safety			
Suspension, front		Aluminium double-joint spring strut axle with displaced camber, small positive steering roll radius, traverse force compensation, anti-dive	
Suspension, rear		Five-link axle in lightweight construction	
Brakes, front		Single-piston floating-calliper disc brakes / vented	
Brakes, rear		Single-piston floating-calliper disc brakes / vented	
Driving stability systems		Standard: DSC incl. ABS, ASC and DTC (Dynamic Traction Control), Cornering Brake Control (CBC), Dynamic Brake Control (DBC), Dry Braking function, Fading Compensation, Start-Off Assistant	
Safety equipment		Standard: airbags for driver and front passenger, side airbags for driver and front passenger, head airbags for 1st and 2nd seat row, three-point inertia-reel belts on all seats, integrated at the front with belt tensioners and belt force limiter, crash sensors, tyre pressure indicator	
Steering		Electric Power Steering (EPS) with Servotronic function; optional: Variable Sport Steering	
Steering ratio, overall	:1	15.0	15.0
Tyres, front / rear		225/50 R17 94W	225/50 R17 94W
Rims, front / rear		7.5J x 17 LM	7.5J x 17 LM

		BMW 420i Coupe	BMW 430i Coupe
Transmission			
Type of transmission	6-speed manual (optional: 8-speed Steptronic)		
Gear ratios	I :1	4.002 (5.000)	3.683 (5.000)
	II :1	2.130 (3.200)	2.062 (3.200)
	III :1	1.396 (2.143)	1.313 (2.143)
	IV :1	1.000 (1.720)	1.000 (1.720)
	V :1	0.781 (1.314)	0.809 (1.314)
	VI :1	0.668 (1.000)	0.677 (1.000)
	VII :1	– (0.822)	– (0.822)
	VIII :1	– (0.640)	– (0.640)
	R :1	3.647 (3.456)	3.348 (3.456)
Final drive	:1	3.385 (2.813)	3.909 (2.813)
Performance			
Power-to-weight ratio (DIN)	kg/kW	10.9 (11.1)	8.1 (8.2)
Output per litre	kW/l	67.6	92.6
Acceleration 0–100 km/h	s	7.3 (7.5)	5.9 (5.8)
Top speed	km/h	236 (236)	250 (250)
BMW EfficientDynamics			
BMW EfficientDynamics standard features	Brake Energy Regeneration with recuperation display, Electric Power Steering (EPS), Auto Start Stop function, Optimum Shift Indicator, ECO PRO mode with coasting function (automatic transmission), intelligent lightweight construction, optimised aerodynamic attributes, on-demand operation of ancillary units, map-regulated oil pump, differential with optimised-warm-up behaviour, tyres with reduced rolling resistance		
Fuel Consumption EU ²⁾			
With standard wheels and tyres			
urban	l/100 km	7.7 (7.1)	7.9 (7.0)
inter-urban	l/100 km	4.7 (4.5)	5.1 (4.7)
combined	l/100 km	5.8 (5.5)	6.1 (5.5)
CO ₂	g/km	134 (127)	143 (129)
With 8J x 18 wheels and 225/45 R18 tyres / with winter tyres, with 8J x 18 wheels (front), 8.5J x 18 (rear) and 225/45 R18 tyres (front), 255/40 R18 (rear), with 8J x 19 wheels (front), 8.5J x 19 (rear) and 225/40 R19 tyres (front), 255/35 R19 (rear)			
urban	l/100 km	8.1 (7.6)	8.4 (7.4)
inter-urban	l/100 km	4.9 (4.7)	5.4 (4.9)
combined	l/100 km	6.1 (5.8)	6.5 (5.8)
CO ₂	g/km	141 (134)	151 (136)
Emission rating		EU6	EU6

Specifications apply to ACEA markets/data relevant to homologation applies in part only to Germany (weight)
Figures in brackets apply to models with automatic transmission

¹⁾ Oil change

²⁾ Fuel consumption and CO₂ emissions depend on the selected tyre format

BMW 4 Series Coupe. 420i xDrive, 430i xDrive.

		BMW 420i xDrive Coupe	BMW 430i xDrive Coupe
Body			
No of doors / seats		2 / 4	2 / 4
Length / width / height (unladen)	mm	4640 / 1825 / 1392	4640 / 1825 / 1392
Wheelbase	mm	2810	2810
Track, front / rear	mm	1543 / 1589	1543 / 1589
Ground clearance	mm	145	145
Turning circle	m	11.8	11.8
Fuel tank capacity	approx. l	60	60
Engine oil ¹⁾	l	5.25	5.25
Weight, unladen, to DINEU	kg	1560 / 1635 (1570 / 1645)	1575 / 1650
Max load to DIN	kg	520	520
Max permissible weight	kg	2080 (2090)	2095
Max axle load, front / rear	kg	995 / 1135	995 / 1140
Max trailer load, braked (12%) / unbraked	kg	1700 / 750	1700 / 750
Max roofload / max towbar download	kg	75 / 75	75 / 75
Luggage comp capacity	l	445	445
Air resistance	cd x A	0.30 x 2.16	0.30 x 2.16
Power Unit			
Config/No of cyls/valves		In-line/4/4	In-line/4/4
Engine technology		BMW TwinPower Turbo technology with TwinScroll turbocharger, High Precision Direct Injection, VALVETRONIC fully variable valve control and Double-VANOS variable camshaft timing	
Effective capacity	cc	1998	1998
Stroke / bore	mm	94.6 / 82.0	94.6 / 82.0
Compression ratio	:1	11.0	10.2
Fuel		RON 90 – 98	RON 90 – 98
Recommended fuel		RON 95	RON 95
Max output	kW/hp	135 / 184	185 / 252
at	rpm	5000	5200
Max torque	Nm/lb-ft	270/199	350/258
at	rpm	1350 – 4600	1450 – 4800
Electrical System			
Battery/installation	Ah/-	80 / Luggage compartment	80 / Luggage compartment
Driving Dynamics and Safety			
Suspension, front		Aluminium double-joint spring strut axle with displaced camber, small positive steering roll radius, traverse force compensation, anti-dive	
Suspension, rear		Five-link axle in lightweight construction	
Brakes, front		Single-piston floating-calliper disc brakes / vented	
Brakes, rear		Single-piston floating-calliper disc brakes / vented	
Driving stability systems		Standard: DSC incl. ABS, ASC and DTC (Dynamic Traction Control), Cornering Brake Control (CBC), Dynamic Brake Control (DBC), Dry Braking function, Fading Compensation, Start-Off Assistant, cross-linking with xDrive all-wheel-drive system	
Safety equipment		Standard: airbags for driver and front passenger, side airbags for driver and front passenger, head airbags for 1st and 2nd seat row, three-point inertia-reel belts on all seats, integrated at the front with belt tensioners and belt force limiter, crash sensors, tyre pressure indicator	
Steering		Electric Power Steering (EPS) with Servotronic function; optional: Variable Sport Steering	
Steering ratio, overall	:1	15.1	15.1
Tyres, front / rear		225/50 R17 94W	225/50 R17 94W
Rims, front / rear		7.5J x 17 LM	7.5J x 17 LM

			BMW 420i xDrive Coupe	BMW 430i xDrive Coupe
Transmission				
Type of transmission			6-speed manual (optional: 8-speed Steptronic)	8-speed Steptronic
Gear ratios	I	:1	4.110 (5.000)	5.000
	II	:1	2.315 (3.200)	3.200
	III	:1	1.542 (2.143)	2.143
	IV	:1	1.179 (1.720)	1.720
	V	:1	1.000 (1.314)	1.314
	VI	:1	0.846 (1.000)	1.000
	VII	:1	– (0.822)	0.822
	VIII	:1	– (0.640)	0.640
	R	:1	3.727 (3.456)	3.456
Final drive		:1	3.385 (2.813)	2.813
Performance				
Power-to-weight ratio (DIN)	kg/kW		11.6 (11.6)	8.5
Output per litre	kW/l		67.6	92.6
Acceleration 0–100 km/h	s		7.6 (7.8)	5.8
Top speed	km/h		233 (231)	250
BMW EfficientDynamics				
BMW EfficientDynamics standard features	Brake Energy Regeneration with recuperation display, Electric Power Steering (EPS), Auto Start Stop function, Optimum Shift Indicator (manual gearbox), ECO PRO mode with coasting function (automatic transmission), intelligent lightweight construction, optimised aerodynamic attributes, on-demand operation of ancillary units, map-regulated oil pump, rear differential with optimised warm-up behaviour, tyres with reduced rolling resistance			
Fuel Consumption EU ²⁾				
With standard wheels and tyres				
urban	l/100 km		8.7 (7.7)	7.5
inter-urban	l/100 km		5.4 (4.8)	5.0
combined	l/100 km		6.6 (5.9)	5.9
CO ₂	g/km		154 (137)	138
With 8J x 18 wheels and 225/45 R18 tyres / with winter tyres, with 8J x 18 wheels (front), 8.5J x 18 (rear) and 225/45 R18 tyres (front), 255/40 R18 (rear), with 8J x 19 wheels (front), 8.5J x 19 (rear) and 225/40 R19 tyres (front), 255/35 R19 (rear)				
urban	l/100 km		9.0 (8.1)	7.8
inter-urban	l/100 km		5.7 (5.1)	5.2
combined	l/100 km		6.9 (6.2)	6.2
CO ₂	g/km		161 (144)	144
Emission rating	EU6			EU6

Specifications apply to ACEA markets/data relevant to homologation applies in part only to Germany (weight)
BMW 420i xDrive Coupe: Figures in brackets apply to models with automatic transmission

¹⁾ Oil change

²⁾ Fuel consumption and CO₂ emissions depend on the selected tyre format

BMW 4 Series Coupe. 440i.

BMW 440i Coupe		
Body		
No of doors / seats		2 / 4
Length / width / height (unladen)	mm	4640 / 1825 / 1377
Wheelbase	mm	2810
Track, front / rear	mm	1547 / 1593
Ground clearance	mm	130
Turning circle	m	11.3
Fuel tank capacity	approx. l	60
Engine oil ¹⁾	l	6.5
Weight, unladen, to DINEU	kg	1540 / 1615 (1555 / 1630)
Max load to DIN	kg	520
Max permissible weight	kg	2060 (2075)
Max axle load, front / rear	kg	985 / 1130
Max trailer load, braked (12%) / unbraked	kg	1700 / 750
Max roofload / max towbar download	kg	75 / 75
Luggage comp capacity	l	445
Air resistance	cd x A	0.30 x 2.16 (0.29 x 2.16)
Power Unit		
Config/No of cyls/valves		R / 6 / 4
Engine technology		BMW TwinPower Turbo technology with TwinScroll turbocharger, High Precision Direct Injection, VALVETRONIC fully variable valve control und Double-VANOS variable camshaft timing
Effective capacity	cc	2998
Stroke / bore	mm	94.6 / 82.0
Compression ratio	:1	11.0
Fuel		RON 90 – 98
Recommended fuel		RON 95
Max output	kW/hp	240 / 326
at	rpm	5500
Max torque	Nm/lb-ft	450/332
at	rpm	1380 – 5000
Electrical System		
Battery/installation	Ah/-	90 / Luggage compartment
Driving Dynamics and Safety		
Suspension, front		Aluminium double-joint spring strut axle with displaced camber, small positive steering roll radius, traverse force compensation, anti-dive
Suspension, rear		Five-link axle in lightweight construction
Brakes, front		Single-piston floating-calliper disc brakes / vented
Brakes, rear		Single-piston floating-calliper disc brakes / vented
Driving stability systems		Standard: DSC incl. ABS, ASC and DTC (Dynamic Traction Control), Cornering Brake Control (CBC), Dynamic Brake Control (DBC), Dry Braking function, Fading Compensation, Start-Off Assistant
Safety equipment		Standard: airbags for driver and front passenger, side airbags for driver and front passenger, head airbags for 1st and 2nd seat row, three-point inertia-reel belts on all seats, integrated at the front with belt tensioners and belt force limiter, crash sensors, tyre pressure indicator
Steering		Electric Power Steering (EPS) with Servotronic function; optional: Variable Sport Steering
Steering ratio, overall	:1	15.0
Tyres, front / rear		225/50 R17 94W
Rims, front / rear		7.5J x 17 LM

BMW 440i Coupe

Transmission

Type of transmission	6-speed manual (optional: 8-speed Steptronic)		
Gear ratios	I	:1	4.110 (5.000)
	II	:1	2.315 (3.200)
	III	:1	1.542 (2.143)
	IV	:1	1.179 (1.720)
	V	:1	1.000 (1.314)
	VI	:1	0.846 (1.000)
	VII	:1	- (0.822)
	VIII	:1	- (0.640)
	R	:1	3.727 (3.456)
Final drive		:1	3.231 (2.813)

Performance

Power-to-weight ratio (DIN)	kg/kW	6.4 (6.5)
Output per litre	kW/l	80.1
Acceleration 0-100 km/h	s	5.2 (5.0)
Top speed	km/h	250 (250)

BMW EfficientDynamics

BMW EfficientDynamics standard features	Brake Energy Regeneration with recuperation display, Electric Power Steering (EPS), Auto Start Stop function, Optimum Shift Indicator, ECO PRO mode with coasting function (automatic transmission), intelligent lightweight construction, optimised aerodynamic attributes, on-demand operation of ancillary units, map-regulated oil pump, differential with optimised-warm-up behaviour, tyres with reduced rolling resistance
---	---

Fuel Consumption EU ²⁾

With standard wheels and tyres		
urban	l/100 km	10.0 (8.8)
inter-urban	l/100 km	5.9 (5.3)
combined	l/100 km	7.4 (6.6)
CO ₂	g/km	172 (154)
With 8J x 18 wheels and 225/45 R18 tyres / with winter tyres, with 8J x 18 wheels (front), 8.5J x 18 (rear) and 225/45 R18 tyres (front), 255/40 R18 (rear), with 8J x 19 wheels (front), 8.5J x 19 (rear) and 225/40 R19 tyres (front), 255/35 R19 (rear)		
urban	l/100 km	10.4 (9.1)
inter-urban	l/100 km	6.1 (5.5)
combined	l/100 km	7.7 (6.8)
CO ₂	g/km	179 (159)
Emission rating		EU6

Specifications apply to ACEA markets/data relevant to homologation applies in part only to Germany (weight)
Figures in brackets apply to models with automatic transmission

¹⁾ Oil change

²⁾ Fuel consumption and CO₂ emissions depend on the selected tyre format

BMW 4 Series Coupe. 440i xDrive.

BMW 440i xDrive Coupe		
Body		
No of doors / seats		2 / 4
Length / width / height (unladen)	mm	4640 / 1825 / 1392
Wheelbase	mm	2810
Track, front / rear	mm	1543 / 1589
Ground clearance	mm	145
Turning circle	m	11.8
Fuel tank capacity	approx. l	60
Engine oil ¹⁾	l	6.5
Weight, unladen, to DIN/EU	kg	1610 / 1685 (1625 / 1700)
Max load to DIN	kg	520
Max permissible weight	kg	2130 (2145)
Max axle load, front / rear	kg	1040 / 1145
Max trailer load, braked (12%) / unbraked	kg	1800 / 750
Max roofload / max towbar download	kg	75 / 75
Luggage comp capacity	l	445
Air resistance	cd x A	0.31 x 2.16
Power Unit		
Config/No of cyls/valves		R / 6 / 4
Engine technology		BMW TwinPower Turbo technology with TwinScroll turbocharger, High Precision Direct Injection, VALVETRONIC fully variable valve control und Double-VANOS variable camshaft timing
Effective capacity	cc	2998
Stroke / bore	mm	94.6 / 82.0
Compression ratio	:1	11.0
Fuel		RON 90 – 98
Recommended fuel		RON 95
Max output	kW/hp	240 / 326
at	rpm	5500
Max torque	Nm/lb-ft	450/332
at	rpm	1380 – 5000
Electrical System		
Battery/installation	Ah/-	90 / Luggage compartment
Driving Dynamics and Safety		
Suspension, front		Aluminium double-joint spring strut axle with displaced camber, small positive steering roll radius, traverse force compensation, anti-dive
Suspension, rear		Five-link axle in lightweight construction
Brakes, front		Single-piston floating-calliper disc brakes / vented
Brakes, rear		Single-piston floating-calliper disc brakes / vented
Driving stability systems		Standard: DSC incl. ABS, ASC and DTC (Dynamic Traction Control), Cornering Brake Control (CBC), Dynamic Brake Control (DBC), Dry Braking function, Fading Compensation, Start-Off Assistant, cross-linking with xDrive all-wheel-drive system
Safety equipment		Standard: airbags for driver and front passenger, side airbags for driver and front passenger, head airbags for 1st and 2nd seat row, three-point inertia-reel belts on all seats, integrated at the front with belt tensioners and belt force limiter, crash sensors, tyre pressure indicator
Steering		Electric Power Steering (EPS) with Servotronic function; optional: Variable Sport Steering
Steering ratio, overall	:1	15.1
Tyres, front / rear		225/50 R17 94W
Rims, front / rear		7.5J x 17 LM

BMW 440i xDrive Coupe

Transmission

Type of transmission	6-speed manual (optional: 8-speed Steptronic)		
Gear ratios	I	:1	4.110 (5.000)
	II	:1	2.315 (3.200)
	III	:1	1.542 (2.143)
	IV	:1	1.179 (1.720)
	V	:1	1.000 (1.314)
	VI	:1	0.846 (1.000)
	VII	:1	– (0.822)
	VIII	:1	– (0.640)
	R	:1	3.727 (3.456)
Final drive		:1	3.231 (2.813)

Performance

Power-to-weight ratio (DIN)	kg/kW	6.7 (6.8)
Output per litre	kW/l	80.1
Acceleration 0–100 km/h	s	5.0 (4.9)
Top speed	km/h	250 (250)

BMW EfficientDynamics

BMW EfficientDynamics standard features	Brake Energy Regeneration with recuperation display, Electric Power Steering (EPS), Auto Start Stop function, Optimum Shift Indicator, ECO PRO mode with coasting function (automatic transmission), intelligent lightweight construction, optimised aerodynamic attributes, on-demand operation of ancillary units, map-regulated oil pump, rear differential with optimised warm-up behaviour, tyres with reduced rolling resistance
---	--

Fuel Consumption EU ²⁾

With standard wheels and tyres		
urban	l/100 km	10.4 (9.3)
inter-urban	l/100 km	6.1 (5.6)
combined	l/100 km	7.7 (7.0)
CO ₂	g/km	179 (162)
With 8J x 18 wheels and 225/45 R18 tyres / with winter tyres, with 8J x 18 wheels (front), 8.5J x 18 (rear) and 225/45 R18 tyres (front), 255/40 R18 (rear), with 8J x 19 wheels (front), 8.5J x 19 (rear) and 225/40 R19 tyres (front), 255/35 R19 (rear)		
urban	l/100 km	10.7 (9.7)
inter-urban	l/100 km	6.3 (5.9)
combined	l/100 km	7.9 (7.3)
CO ₂	g/km	185 (169)
Emission rating		EU6

Specifications apply to ACEA markets/data relevant to homologation applies in part only to Germany (weight)
Figures in brackets apply to models with automatic transmission

¹⁾ Oil change

²⁾ Fuel consumption and CO₂ emissions depend on the selected tyre format

BMW 4 Series Coupe. 420d.

BMW 420d Coupe		
Body		
No of doors / seats		2 / 4
Length / width / height (unladen)	mm	4640 / 1825 / 1377
Wheelbase	mm	2810
Track, front / rear	mm	1547 / 1593
Ground clearance	mm	130
Turning circle	m	11.3
Fuel tank capacity	approx. l	57
Engine oil ¹⁾	l	5.0
Weight, unladen, to DINEU	kg	1475 / 1550 (1500 / 1575)
Max load to DIN	kg	520
Max permissible weight	kg	1995 (2020)
Max axle load, front / rear	kg	940 / 1120
Max trailer load, braked (12%) / unbraked	kg	1600 / 745
Max roofload / max towbar download	kg	75 / 75
Luggage comp capacity	l	445
Air resistance	cd x A	0.28 x 2.16
Power Unit		
Config/No of cyls/valves		In-line/4/4
Engine technology		BMW TwinPower Turbo technology: variable-geometry turbocharger, common-rail direct injection with solenoid valve injectors, max. injection pressure: 2000 bar
Effective capacity	cc	1995
Stroke / bore	mm	90.0 / 84.0
Compression ratio	:1	16.5
Fuel		Diesel
Max output	kW/hp	140 / 190
at	rpm	4000
Max torque	Nm/lb-ft	400/295
at	rpm	1750 – 2500
Electrical System		
Battery/installation	Ah/-	80 (90) / Luggage compartment
Driving Dynamics and Safety		
Suspension, front		Aluminium double-joint spring strut axle with displaced camber, small positive steering roll radius, traverse force compensation, anti-dive
Suspension, rear		Five-link axle in lightweight construction
Brakes, front		Single-piston floating-calliper disc brakes / vented
Brakes, rear		Single-piston floating-calliper disc brakes / vented
Driving stability systems		Standard: DSC incl. ABS, ASC and DTC (Dynamic Traction Control), Cornering Brake Control (CBC), Dynamic Brake Control (DBC), Dry Braking function, Fading Compensation, Start-Off Assistant
Safety equipment		Standard: airbags for driver and front passenger, side airbags for driver and front passenger, head airbags for 1st and 2nd seat row, three-point inertia-reel belts on all seats, integrated at the front with belt tensioners and belt force limiter, crash sensors, tyre pressure indicator
Steering		Electric Power Steering (EPS) with Servotronic function, optional: Variable Sport Steering
Steering ratio, overall	:1	15.0
Tyres, front / rear		225/50 R17 94W
Rims, front / rear		7.5J x 17 LM

BMW 420d Coupe

Transmission

Type of transmission	6-speed manual (8-speed Steptronic)		
Gear ratios	I	:1	4.110 (5.000)
	II	:1	2.247 (3.200)
	III	:1	1.403 (2.143)
	IV	:1	1.000 (1.720)
	V	:1	0.802 (1.314)
	VI	:1	0.659 (1.000)
	VII	:1	– (0.822)
	VIII	:1	– (0.640)
	R	:1	3.727 (3.456)
Final drive		:1	3.154 (2.813)

Performance

Power-to-weight ratio (DIN)	kg/kW	10.5 (10.7)
Output per litre	kW/l	70.2
Acceleration 0–100 km/h	s	7.3 (7.1)
Top speed	km/h	240 (232)

BMW EfficientDynamics

BMW EfficientDynamics standard features	Brake Energy Regeneration with recuperation display, Electric Power Steering (EPS), Auto Start Stop function, Optimum Shift Indicator, ECO PRO mode with coasting function (automatic transmission), intelligent lightweight construction, optimised aerodynamic attributes, on-demand operation of ancillary units, map-regulated oil pump, differential with optimised warm-up behaviour, tyres with reduced rolling resistance
---	---

Fuel Consumption EU ²⁾

With standard wheels and tyres		
urban	l/100 km	5.1 (4.7)
inter-urban	l/100 km	3.7 (3.6)
combined	l/100 km	4.2 (4.0)
CO ₂	g/km	111 (106)
With 8J x 18 wheels and 225/45 R18 tyres / with winter tyres, with 8J x 18 wheels (front), 8.5J x 18 (rear) and 225/45 R18 tyres (front), 255/40 R18 (rear), with 8J x 19 wheels (front), 8.5J x 19 (rear) and 225/40 R19 tyres (front), 255/35 R19 (rear)		
urban	l/100 km	5.5 (5.1)
inter-urban	l/100 km	3.9 (3.9)
combined	l/100 km	4.5 (4.3)
CO ₂	g/km	119 (114)
Emission rating		EU6

Specifications apply to ACEA markets/data relevant to homologation applies in part only to Germany (weight)
Figures in brackets apply to models with automatic transmission

¹⁾ Oil change

²⁾ Fuel consumption and CO₂ emissions depend on the selected tyre format

BMW 4 Series Coupe. 420d xDrive.

BMW 420d xDrive Coupe		
Body		
No of doors / seats		2 / 4
Length / width / height (unladen)	mm	4640 / 1825 / 1392
Wheelbase	mm	2810
Track, front / rear	mm	1543 / 1589
Ground clearance	mm	145
Turning circle	m	11.8
Fuel tank capacity	approx. l	57
Engine oil ¹⁾	l	5.0
Weight, unladen, to DINEU	kg	1540 / 1615 (1560 / 1635)
Max load to DIN	kg	520
Max permissible weight	kg	2060 (2080)
Max axle load, front / rear	kg	995 / 1125
Max trailer load, braked (12%) / unbraked	kg	1600 / 750
Max roofload / max towbar download	kg	75 / 75
Luggage comp capacity	l	445
Air resistance	cd x A	0.29 x 2.16
Power Unit		
Config/No of cyls/valves		In-line/4/4
Engine technology		BMW TwinPower Turbo technology: variable-geometry turbocharger, common-rail direct injection with solenoid valve injectors, max. injection pressure: 2000 bar
Effective capacity	cc	1995
Stroke / bore	mm	90.0 / 84.0
Compression ratio	:1	16.5
Fuel		Diesel
Max output	kW/hp	140 / 190
at	rpm	4000
Max torque	Nm/lb-ft	400/295
at	rpm	1750 – 2500
Electrical System		
Battery/installation	Ah/-	80 (90) / Luggage compartment
Driving Dynamics and Safety		
Suspension, front		Aluminium double-joint spring strut axle with displaced camber, small positive steering roll radius, traverse force compensation, anti-dive
Suspension, rear		Five-link axle in lightweight construction
Brakes, front		Single-piston floating-calliper disc brakes / vented
Brakes, rear		Single-piston floating-calliper disc brakes / vented
Driving stability systems		Standard: DSC incl. ABS, ASC and DTC (Dynamic Traction Control), Cornering Brake Control (CBC), Dynamic Brake Control (DBC), Dry Braking function, Fading Compensation, Start-Off Assistant, cross-linking with xDrive all-wheel- drive system in the Integrated Chassis Management (ICM)
Safety equipment		Standard: airbags for driver and front passenger, side airbags for driver and front passenger, head airbags for 1st and 2nd seat row, three-point inertia-reel belts on all seats, integrated at the front with belt tensioners and belt force limiter, crash sensors, tyre pressure indicator
Steering		Electric Power Steering (EPS) with Servotronic function, optional: Variable Sport Steering
Steering ratio, overall	:1	15.1
Tyres, front / rear		225/50 R17 94W
Rims, front / rear		7.5J x 17 LM

BMW 420d xDrive Coupe

Transmission

Type of transmission	6-speed manual (8-speed Steptronic)		
Gear ratios	I	:1	4.110 (5.000)
	II	:1	2.315 (3.200)
	III	:1	1.542 (2.143)
	IV	:1	1.179 (1.720)
	V	:1	1.000 (1.314)
	VI	:1	0.846 (1.000)
	VII	:1	– (0.822)
	VIII	:1	– (0.640)
	R	:1	3.727 (3.456)
Final drive		:1	3.154 (2.813)

Performance

Power-to-weight ratio (DIN)	kg/kW	11.0 (11.1)
Output per litre	kW/l	70.2
Acceleration 0–100 km/h	s	7.4 (7.2)
Top speed	km/h	236 (230)

BMW EfficientDynamics

BMW EfficientDynamics standard features	Brake Energy Regeneration with recuperation display, Electric Power Steering (EPS), Auto Start Stop function, Optimum Shift Indicator, ECO PRO mode with coasting function (automatic transmission), intelligent lightweight construction, optimised aerodynamic attributes, on-demand operation of ancillary units, map-regulated oil pump, rear differential with optimised warm-up behaviour, tyres with reduced rolling resistance
---	--

Fuel Consumption EU ²⁾

With standard wheels and tyres		
urban	l/100 km	5.3 (5.2)
inter-urban	l/100 km	3.9 (4.0)
combined	l/100 km	4.4 (4.4)
CO ₂	g/km	117 (117)
With 8J x 18 wheels and 225/45 R18 tyres / with winter tyres, with 8J x 18 wheels (front), 8.5J x 18 (rear) and 225/45 R18 tyres (front), 255/40 R18 (rear), with 8J x 19 wheels (front), 8.5J x 19 (rear) and 225/40 R19 tyres (front), 255/35 R19 (rear)		
urban	l/100 km	5.8 (5.6)
inter-urban	l/100 km	4.1 (4.2)
combined	l/100 km	4.7 (4.7)
CO ₂	g/km	125 (125)
Emission rating		EU6

Specifications apply to ACEA markets/data relevant to homologation applies in part only to Germany (weight)
Figures in brackets apply to models with automatic transmission

¹⁾ Oil change

²⁾ Fuel consumption and CO₂ emissions depend on the selected tyre format

BMW 4 Series Coupe. 430d.

BMW 430d Coupe		
Body		
No of doors / seats		2 / 4
Length / width / height (unladen)	mm	4640 / 1825 / 1392
Wheelbase	mm	2810
Track, front / rear	mm	1547 / 1593
Ground clearance	mm	130
Turning circle	m	11.3
Fuel tank capacity	approx. l	57
Engine oil ¹⁾	l	6.5
Weight, unladen, to DIN/EU	kg	1540 / 1615
Max load to DIN	kg	520
Max permissible weight	kg	2060
Max axle load, front / rear	kg	985 / 1120
Max trailer load, braked (12%) / unbraked	kg	1800 / 750
Max roofload / max towbar	kg	75 / 75
Luggage comp capacity	l	445
Air resistance	cd x A	0.29 x 2.16
Power Unit		
Config/No of cyls/valves		R / 6 / 4
Engine technology		BMW TwinPower Turbo technology: variable-geometry turbocharger, common-rail direct injection with solenoid valve injectors, max. injection pressure: 1800 bar
Effective capacity	cc	2993
Stroke / bore	mm	90.0 / 84.0
Compression ratio	:1	16.5
Fuel		Diesel
Max output	kW/hp	190 / 258
at	rpm	4000
Max torque	Nm/lb-ft	560/413
at	rpm	1500 – 3000
Electrical System		
Battery/installation	Ah/-	90 / Luggage
Driving Dynamics and Safety		
Suspension, front		Aluminium double-joint spring strut axle with displaced camber, small positive steering roll radius, traverse force compensation, anti-dive
Suspension, rear		Five-link axle in lightweight construction
Brakes, front		Single-piston floating-calliper disc brakes / vented
Brakes, rear		Single-piston floating-calliper disc brakes / vented
Driving stability systems		Standard: DSC incl. ABS, ASC and DTC (Dynamic Traction Control), Cornering Brake Control (CBC), Dynamic Brake Control (DBC), Dry Braking function, Fading Compensation, Start-Off Assistant
Safety equipment		Standard: airbags for driver and front passenger, side airbags for driver and front passenger, head airbags for 1st and 2nd seat row, three-point inertia-reel belts on all seats, integrated at the front with belt tensioners and belt force limiter, crash sensors, tyre defect indicator
Steering		Electric Power Steering (EPS) with Servotronic function; optional: Variable Sport Steering
Steering ratio, overall	:1	15.0
Tyres, front / rear		225/50 R17 94W
Rims, front / rear		7.5J x 17 LM

BMW 430d Coupe

Transmission

Type of transmission			8-speed Steptronic
Gear ratios	I	:1	4.714
	II	:1	3.143
	III	:1	2.106
	IV	:1	1.667
	V	:1	1.285
	VI	:1	1.000
	VII	:1	0.839
	VIII	:1	0.667
	R	:1	3.317
Final drive			2.563

Performance

Power-to-weight ratio (DIN)	kg/kW	8.1
Output per litre	kW/l	63.5
Acceleration 0–100 km/h	s	5.5
Top speed	km/h	250

BMW EfficientDynamics

BMW EfficientDynamics standard features	Brake Energy Regeneration with recuperation display, Electric Power Steering (EPS), Auto Start Stop function, ECO PRO mode with coasting function, intelligent lightweight construction, optimised aerodynamic attributes, on-demand operation of ancillary units, differential with optimised warm-up behaviour, tyres with reduced rolling resistance
---	---

Fuel Consumption EU ²⁾

With standard wheels and tyres		
urban	l/100 km	5.7
inter-urban	l/100 km	4.5
combined	l/100 km	4.9
CO ₂	g/km	129
With 8J x 18 wheels and 225/45 R18 tyres / with winter tyres, with 8J x 18 wheels (front), 8.5J x 18 (rear) and 225/45 R18 tyres (front), 255/40 R18 (rear), with 8J x 19 wheels (front), 8.5J x 19 (rear) and 225/40 R19 tyres (front), 255/35 R19 (rear)		
urban	l/100 km	5.9
inter-urban	l/100 km	4.6
combined	l/100 km	5.1
CO ₂	g/km	134
Emission rating	EU6	

Specifications apply to ACEA markets/data relevant to homologation applies in part only to Germany (weight)

¹⁾ Oil change

²⁾ Fuel consumption and CO₂ emissions depend on the selected tyre format

BMW 4 Series Coupe. 430d xDrive.

BMW 430d xDrive Coupe		
Body		
No of doors / seats		2 / 4
Length / width / height (unladen)	mm	4640 / 1825 / 1392
Wheelbase	mm	2810
Track, front / rear	mm	1543 / 1589
Ground clearance	mm	145
Turning circle	m	11.8
Fuel tank capacity	approx. l	57
Engine oil ¹⁾	l	6.5
Weight, unladen, to DIN/EU	kg	1615 / 1690
Max load to DIN	kg	520
Max permissible weight	kg	2135
Max axle load, front / rear	kg	1040 / 1135
Max trailer load, braked (12%) / unbraked	kg	1800 / 750
Max roofload / max towbar	kg	75 / 75
Luggage comp capacity	l	445
Air resistance	cd x A	0.29 x 2.16
Power Unit		
Config/No of cyls/valves		R / 6 / 4
Engine technology		BMW TwinPower Turbo technology: variable-geometry turbocharger, common-rail direct injection with solenoid valve injectors (max. injection pressure: 1800 bar)
Effective capacity	cc	2993
Stroke / bore	mm	90.0 / 84.0
Compression ratio	:1	16.5
Fuel		Diesel
Max output	kW/hp	190 / 258
at	rpm	4000
Max torque	Nm/lb-ft	560/413
at	rpm	1500 – 3000
Electrical System		
Battery/installation	Ah/-	90 / Luggage
Driving Dynamics and Safety		
Suspension, front		Aluminium double-joint spring strut axle with displaced camber, small positive steering roll radius, traverse force compensation, anti-dive
Suspension, rear		Five-link axle in lightweight construction
Brakes, front		Single-piston floating-calliper disc brakes / vented
Brakes, rear		Single-piston floating-calliper disc brakes / vented
Driving stability systems		Standard: DSC incl. ABS, ASC and DTC (Dynamic Traction Control), Cornering Brake Control (CBC), Dynamic Brake Control (DBC), Dry Braking function, Fading Compensation, Start-Off Assistant, cross-linking with xDrive all-wheel-drive system in the Integrated Chassis Management (ICM)
Safety equipment		Standard: airbags for driver and front passenger, side airbags for driver and front passenger, head airbags for 1st and 2nd seat row, three-point inertia-reel belts on all seats, integrated at the front with belt tensioners and belt force limiter, crash sensors, tyre defect indicator
Steering		Electric Power Steering (EPS) with Servotronic function; optional: Variable Sport Steering
Steering ratio, overall	:1	15.1
Tyres, front / rear		225/50 R17 94W
Rims, front / rear		7.5J x 17 LM

BMW 430d xDrive Coupe

Transmission

Type of transmission	8-speed automatic transmission with Steptronic		
Gear ratios	I	:1	4.714
	II	:1	3.143
	III	:1	2.106
	IV	:1	1.667
	V	:1	1.285
	VI	:1	1.000
	VII	:1	0.839
	VIII	:1	0.667
	R	:1	3.317
Final drive		:1	2.563

Performance

Power-to-weight ratio (DIN)	kg/kW	8.5
Output per litre	kW/l	63.5
Acceleration 0–100 km/h	s	5.2
Top speed	km/h	250

BMW EfficientDynamics

BMW EfficientDynamics standard features	Brake Energy Regeneration with recuperation display, Electric Power Steering (EPS), Auto Start Stop function, ECO PRO mode with coasting function, intelligent lightweight construction, optimised aerodynamic attributes, on-demand operation of ancillary units, rear differential with optimised warm-up behaviour, tyres with reduced rolling resistance
---	--

Fuel Consumption EU ²⁾

With standard wheels and tyres		
urban	l/100	6.0
inter-urban	l/100	4.8
combined	l/100	5.2
CO ₂	g/km	137
With 8J x 18 wheels and 225/45 R18 tyres / with winter tyres, with 8J x 18 wheels (front), 8.5J x 18 (rear) and 225/45 R18 tyres (front), 255/40 R18 (rear), with 8J x 19 wheels (front), 8.5J x 19 (rear) and 225/40 R19 tyres (front), 255/35 R19 (rear)		
urban	l/100	6.2
inter-urban	l/100	4.9
combined	l/100	5.4
CO ₂	g/km	142
Emission rating		EU6

Specifications apply to ACEA markets/data relevant to homologation applies in part only to Germany (weight)

¹⁾ Oil change

²⁾ Fuel consumption and CO₂ emissions depend on the selected tyre format

BMW 4 Series Coupe. 435d xDrive.

BMW 435d xDrive Coupe		
Body		
No of doors / seats		2 / 4
Length / width / height (unladen)	mm	4640 / 1825 / 1392
Wheelbase	mm	2810
Track, front / rear	mm	1543 / 1589
Ground clearance	mm	145
Turning circle	m	11.8
Fuel tank capacity	approx. l	57
Engine oil ¹⁾	l	6.5
Weight, unladen, to DIN/EU	kg	1625 / 1700
Max load to DIN	kg	520
Max permissible weight	kg	2145
Max axle load, front / rear	kg	1050 / 1135
Max trailer load, braked (12%) / unbraked	kg	1800 / 750
Max roofload / max towbar	kg	75 / 75
Luggage comp capacity	l	445
Air resistance	cd x A	0.30 x 2.16
Power Unit		
Config/No of cyls/valves		R / 6 / 4
Engine technology		BMW TwinPower Turbo technology: multi-stage high-pressure turbocharging with variable turbine geometry, common-rail direct injection with piezo injectors, max. injection pressure: 2000 bar
Effective capacity	cc	2993
Stroke / bore	mm	90.0 / 84.0
Compression ratio	:1	16.5
Fuel		Diesel
Max output	kW/hp	230 / 313
at	rpm	4400
Max torque	Nm/lb-ft	630/464
at	rpm	1500 – 2500
Electrical System		
Battery/installation	Ah/-	90 / Luggage
Driving Dynamics and Safety		
Suspension, front		Aluminium double-joint spring strut axle with displaced camber, small positive steering roll radius, traverse force compensation, anti-dive
Suspension, rear		Five-link axle in lightweight construction
Brakes, front		Single-piston floating-calliper disc brakes / vented
Brakes, rear		Single-piston floating-calliper disc brakes / vented
Driving stability systems		Standard: DSC incl. ABS, ASC and DTC (Dynamic Traction Control), Cornering Brake Control (CBC), Dynamic Brake Control (DBC), Dry Braking function, Fading Compensation, Start-Off Assistant, cross-linking with xDrive all-wheel-drive system in the Integrated Chassis Management (ICM)
Safety equipment		Standard: airbags for driver and front passenger, side airbags for driver and front passenger, head airbags for 1st and 2nd seat row, three-point inertia-reel belts on all seats, integrated at the front with belt tensioners and belt force limiter, crash sensors, tyre defect indicator
Steering		Electric Power Steering (EPS) with Servotronic function; optional: Variable Sport Steering
Steering ratio, overall	:1	15.1
Tyres, front / rear		225/50 R17 94W
Rims, front / rear		7.5J x 17 LM

BMW 435d xDrive Coupe

Transmission

Type of transmission	8-speed automatic transmission with Steptronic		
Gear ratios	I	:1	4.714
	II	:1	3.143
	III	:1	2.106
	IV	:1	1.667
	V	:1	1.285
	VI	:1	1.000
	VII	:1	0.839
	VIII	:1	0.667
	R	:1	3.317
Final drive		:1	2.563

Performance

Power-to-weight ratio (DIN)	kg/kW	7.1
Output per litre	kW/l	76.8
Acceleration 0–100 km/h	s	4.7
Top speed	km/h	250

BMW EfficientDynamics

BMW EfficientDynamics standard features	Brake Energy Regeneration with recuperation display, Electric Power Steering (EPS), Auto Start Stop function, ECO PRO mode with coasting function, intelligent lightweight construction, optimised aerodynamic attributes, on-demand operation of ancillary units, rear differential with optimised warm-up behaviour, tyres with reduced rolling resistance
---	--

Fuel Consumption EU ²⁾

With standard wheels and tyres		
urban	l/100 km	6.4
inter-urban	l/100 km	4.9
combined	l/100 km	5.4
CO ₂	g/km	143
With 8J x 18 wheels and 225/45 R18 tyres / with winter tyres, with 8J x 18 wheels (front), 8.5J x 18 (rear) and 225/45 R18 tyres (front), 255/40 R18 (rear), with 8J x 19 wheels (front), 8.5J x 19 (rear) and 225/40 R19 tyres (front), 255/35 R19 (rear)		
urban	l/100 km	6.6
inter-urban	l/100 km	5.0
combined	l/100 km	5.6
CO ₂	g/km	147
Emission rating		EU6

Specifications apply to ACEA markets/data relevant to homologation applies in part only to Germany (weight)

¹⁾ Oil change

²⁾ Fuel consumption and CO₂ emissions depend on the selected tyre format

BMW 4 Series Convertible. 420i, 430i.

		BMW 420i Convertible	BMW 430i Convertible
Body			
No of doors / seats		2 / 4	2 / 4
Length / width / height (unladen)	mm	4640 / 1825 / 1384	4640 / 1825 / 1384
Wheelbase	mm	2810	2810
Track, front / rear	mm	1544 / 1593	1544 / 1593
Ground clearance	mm	130	130
Turning circle	m	11.3	11.3
Fuel tank capacity	approx. l	60	60
Engine oil ¹⁾	l	5.25	5.25
Weight, unladen, to DINEU	kg	1700 / 1775 (1715 / 1790)	1710 / 1785 (1735 / 1810)
Max load to DIN	kg	470	460
Max permissible weight	kg	2170 (2185)	2170 (2195)
Max axle load, front / rear	kg	960 / 1250	965 / 1255
Max trailer load, braked (12%) / unbraked	kg	1400 (1500) / 695	1600 / 745
Max roofload / max towbar download	kg	- / 75	- / 75
Luggage comp capacity	L	370	370
Air resistance	cd x A	0.30 x 2.16	0.30 x 2.16
Power Unit			
Config/No of cyls/valves		In-line/4/4	In-line/4/4
Engine technology		BMW TwinPower Turbo technology with TwinScroll turbocharger, High Precision Direct Injection, VALVETRONIC fully variable valve control und Double-VANOS variable camshaft timing	
Effective capacity	cc	1998	1998
Stroke / bore	mm	94.6 / 82.0	94.6 / 82.0
Compression ratio	:1	11.0	10.2
Fuel		RON 90 – 98	RON 90 – 98
Recommended fuel		RON 95	RON 95
Max output	kW/hp	135 / 184	185 / 252
at	rpm	5000	5200
Max torque	Nm/lb-ft	290/214 (270/199)	350/258
at	rpm	1350 – 4600	1450 – 4800
Electrical System			
Battery/installation	Ah/-	90 / Luggage compartment	90 / Luggage compartment
Driving Dynamics and Safety			
Suspension, front		Aluminium double-joint spring strut axle with displaced camber, small positive steering roll radius, traverse force compensation, anti-dive	
Suspension, rear		Five-link axle in lightweight construction	
Brakes, front		Single-piston floating-calliper disc brakes / vented	
Brakes, rear		Single-piston floating-calliper disc brakes / vented	
Driving stability systems		Standard: DSC incl. ABS, ASC and DTC (Dynamic Traction Control), Cornering Brake Control (CBC), Dynamic Brake Control (DBC), Dry Braking function, Fading Compensation, Start-Off Assistant	
Safety equipment		Standard: airbags for driver and front passenger, side airbags for driver and front passenger combined with head airbags, three-point inertia-reel seatbelts on all seats, integrated at the front with belt tensioners and belt force limiter, crash sensors, rollover protection system, tyre pressure indicator	
Steering		Electric Power Steering (EPS) with Servotronic function; optional: Variable Sport Steering	
Steering ratio, overall	:1	15.0	15.0
Tyres, front / rear		225/50 R17 94W	225/50 R17 98W XL
Rims, front / rear		7.5J x 17 LM	7.5J x 17 LM

			BMW 420i Convertible	BMW 430i Convertible
Transmission				
Type of transmission	6-speed manual (optional: 8-speed Steptronic)			
Gear ratios	I	:1	4.002 (5.000)	3.683 (5.000)
	II	:1	2.130 (3.200)	2.062 (3.200)
	III	:1	1.396 (2.143)	1.313 (2.143)
	IV	:1	1.000 (1.720)	1.000 (1.720)
	V	:1	0.781 (1.314)	0.809 (1.314)
	VI	:1	0.668 (1.000)	0.677 (1.000)
	VII	:1	– (0.822)	– (0.822)
	VIII	:1	– (0.640)	– (0.640)
	R	:1	3.647 (3.456)	3.348 (3.456)
Final drive		:1	3.462 (2.813)	3.909 (2.813)
Performance				
Power-to-weight ratio (DIN)	kg/kW		12.6 (12.7)	9.2 (9.4)
Output per litre	kW/l		67.6	92.6
Acceleration 0–100 km/h	s		8.2 (8.4)	6.4 (6.3)
Top speed	km/h		230 (230)	250 (250)
BMW EfficientDynamics				
BMW EfficientDynamics standard features	Brake Energy Regeneration with recuperation display, Electric Power Steering (EPS), Auto Start Stop function, Optimum Shift Indicator, ECO PRO mode with coasting function (automatic transmission), intelligent lightweight construction, optimised aerodynamic attributes, on-demand operation of ancillary units, map-regulated oil pump, differential with optimised-warm-up behaviour, tyres with reduced rolling resistance			
Fuel Consumption EU ²⁾				
With standard wheels and tyres				
urban	l/100 km		8.0 (7.6)	8.6 (7.5)
inter-urban	l/100 km		5.1 (4.8)	5.5 (5.0)
combined	l/100 km		6.2 (5.8)	6.6 (5.9)
CO ₂	g/km		145 (136)	154 (138)
With 8J x 18 wheels and 225/45 R18 tyres / with winter tyres, with 8J x 18 wheels (front), 8.5J x 18 (rear) and 225/45 R18 tyres (front), 255/40 R18 (rear), with 8J x 19 wheels (front), 8.5J x 19 (rear) and 225/40 R19 tyres (front), 255/35 R19 (rear)				
urban	l/100 km		8.6 (8.1)	9.0 (7.9)
inter-urban	l/100 km		5.5 (5.1)	5.8 (5.3)
combined	l/100 km		6.6 (6.2)	7.0 (6.3)
CO ₂	g/km		153 (144)	162 (146)
Emission rating			EU6	EU6

Specifications apply to ACEA markets/data relevant to homologation applies in part only to Germany (weight)
Figures in brackets apply to models with automatic transmission

¹⁾ Oil change

²⁾ Fuel consumption and CO₂ emissions depend on the selected tyre format

BMW 4 Series Convertible. 430i xDrive.

BMW 430i xDrive Convertible		
Body		
No of doors / seats		2 / 4
Length / width / height (unladen)	mm	4640 / 1825 / 1399
Wheelbase	mm	2810
Track, front / rear	mm	1543 / 1593
Ground clearance	mm	145
Turning circle	m	11.8
Fuel tank capacity	approx. l	60
Engine oil ¹⁾	l	5.25
Weight, unladen, to DIN/EU	kg	1805 / 1880
Max load to DIN	kg	450
Max permissible weight	kg	2255
Max axle load, front / rear	kg	1035 / 1255
Max trailer load, braked (12%) / unbraked	kg	1700 / 750
Max roofload / max towbar download	kg	- / 75
Luggage comp capacity	l	370
Air resistance	cd x A	0.31 x 2.16
Power Unit		
Config/No of cyls/valves		In-line/4/4
Engine technology		BMW TwinPower Turbo technology with TwinScroll turbocharger, High Precision Direct Injection, VALVETRONIC fully variable valve control und Double-VANOS variable camshaft timing
Effective capacity	cc	1998
Stroke / bore	mm	94.6 / 82.0
Compression ratio	:1	10.2
Fuel		RON 90 – 98
Recommended fuel		RON 95
Max output	kW/hp	185 / 252
at	rpm	5200
Max torque	Nm/lb-ft	350/258
at	rpm	1450 – 4800
Electrical System		
Battery/installation	Ah/-	90 / Luggage compartment
Driving Dynamics and Safety		
Suspension, front		Aluminium double-joint spring strut axle with displaced camber, small positive steering roll radius, traverse force compensation, anti-dive
Suspension, rear		Five-link axle in lightweight construction
Brakes, front		Single-piston floating-calliper disc brakes / vented
Brakes, rear		Single-piston floating-calliper disc brakes / vented
Driving stability systems		Standard: DSC incl. ABS, ASC and DTC (Dynamic Traction Control), Cornering Brake Control (CBC), Dynamic Brake Control (DBC), Dry Braking function, Fading Compensation, Start-Off Assistant, cross-linking with xDrive all-wheel-drive system
Safety equipment		Standard: airbags for driver and front passenger, side airbags for driver and front passenger combined with head airbags, three-point inertia-reel seatbelts on all seats, integrated at the front with belt tensioners and belt force limiter, crash sensors, rollover protection system, tyre pressure indicator
Steering		Electric Power Steering (EPS) with Servotronic function; optional: Variable Sport Steering
Steering ratio, overall	:1	15.0
Tyres, front / rear		225/50 R17 98W XL
Rims, front / rear		7.5J x 17 LM

**BMW 430i xDrive
Convertible**

Transmission

Type of transmission	8-speed Steptronic		
Gear ratios	I	:1	5.000
	II	:1	3.200
	III	:1	2.143
	IV	:1	1.720
	V	:1	1.314
	VI	:1	1.000
	VII	:1	0.822
	VIII	:1	0.640
	R	:1	3.456
Final drive		:1	2.813

Performance

Power-to-weight ratio (DIN)	kg/kW	9.8
Output per litre	kW/l	92.6
Acceleration 0–100 km/h	s	6.4
Top speed	km/h	250

BMW EfficientDynamics

BMW EfficientDynamics standard features	Brake Energy Regeneration with recuperation display, Electric Power Steering (EPS), Auto Start Stop function, ECO PRO mode with coasting function, intelligent lightweight construction, optimised aerodynamic attributes, on-demand operation of ancillary units, map-regulated oil pump, rear differential with optimised warm-up behaviour, tyres with reduced rolling resistance
---	--

Fuel Consumption EU ²⁾

With standard wheels and tyres		
urban	l/100 km	8.1
inter-urban	l/100 km	5.4
combined	l/100 km	6.4
CO ₂	g/km	149
With 8J x 18 wheels and 225/45 R18 tyres / with winter tyres, with 8J x 18 wheels (front), 8.5J x 18 (rear) and 225/45 R18 tyres (front), 255/40 R18 (rear), with 8J x 19 wheels (front), 8.5J x 19 (rear) and 225/40 R19 tyres (front), 255/35 R19 (rear)		
urban	l/100 km	8.5
inter-urban	l/100 km	5.7
combined	l/100 km	6.7
CO ₂	g/km	156
Emission rating		EU6

Specifications apply to ACEA markets/data relevant to homologation applies in part only to Germany (weight)

¹⁾ Oil change

²⁾ Fuel consumption and CO₂ emissions depend on the selected tyre format

BMW 4 Series Convertible. 440i.

BMW 440i Convertible		
Body		
No of doors / seats		2 / 4
Length / width / height (unladen)	mm	4640 / 1825 / 1384
Wheelbase	mm	2810
Track, front / rear	mm	1544 / 1593
Ground clearance	mm	130
Turning circle	m	11.3
Fuel tank capacity	approx. l	60
Engine oil ¹⁾	l	6.5
Weight, unladen, to DIN/EU	kg	1770 / 1845
Max load to DIN	kg	460
Max permissible weight	kg	2230
Max axle load, front / rear	kg	995 / 1255
Max trailer load, braked (12%) / unbraked	kg	1700 / 750
Max roofload / max towbar download	kg	- / 75
Luggage comp capacity	l	370
Air resistance	cd x A	0.30 x 2.16
Power Unit		
Config/No of cyls/valves		R / 6 / 4
Engine technology		BMW TwinPower Turbo technology with TwinScroll turbocharger, High Precision Direct Injection, VALVETRONIC fully variable valve control und Double-VANOS variable camshaft timing
Effective capacity	cc	2998
Stroke / bore	mm	94.6 / 82.0
Compression ratio	:1	11.0
Fuel		RON 90 – 98
Recommended fuel		RON 95
Max output	kW/hp	240 / 326
at	rpm	5500
Max torque	Nm/lb-ft	450/332
at	rpm	1380 – 5000
Electrical System		
Battery/installation	Ah/-	90 / Luggage compartment
Driving Dynamics and Safety		
Suspension, front		Aluminium double-joint spring strut axle with displaced camber, small positive steering roll radius, traverse force compensation, anti-dive
Suspension, rear		Five-link axle in lightweight construction
Brakes, front		Single-piston floating-calliper disc brakes / vented
Brakes, rear		Single-piston floating-calliper disc brakes / vented
Driving stability systems		Standard: DSC incl. ABS, ASC and DTC (Dynamic Traction Control), Cornering Brake Control (CBC), Dynamic Brake Control (DBC), Dry Braking function, Fading Compensation, Start-Off Assistant
Safety equipment		Standard: airbags for driver and front passenger, side airbags for driver and front passenger combined with head airbags, three-point inertia-reel seatbelts on all seats, integrated at the front with belt tensioners and belt force limiter, crash sensors, rollover protection system, tyre pressure indicator
Steering		Electric Power Steering (EPS) with Servotronic function; optional: Variable Sport Steering
Steering ratio, overall	:1	15.0
Tyres, front / rear		225/50 R17 98W XL
Rims, front / rear		7.5J x 17 LM

BMW 440i Convertible

Transmission

Type of transmission	8-speed Steptronic	
Gear ratios	I :1	5.000
	II :1	3.200
	III :1	2.143
	IV :1	1.720
	V :1	1.314
	VI :1	1.000
	VII :1	0.822
	VIII :1	0.640
	R :1	3.456
Final drive	:1	2.813

Performance

Power-to-weight ratio (DIN)	kg/kW	7.4
Output per litre	kW/l	80.1
Acceleration 0-100 km/h	s	5.4
Top speed	km/h	250

BMW EfficientDynamics

BMW EfficientDynamics standard features	Brake Energy Regeneration with recuperation display, Electric Power Steering (EPS), Auto Start Stop function, ECO PRO mode with coasting function, intelligent lightweight construction, optimised aerodynamic attributes, on-demand operation of ancillary units, map-regulated oil pump, differential with optimised-warm-up behaviour, tyres with reduced rolling resistance
---	---

Fuel Consumption EU ²⁾

With standard wheels and tyres		
urban	l/100 km	9.1
inter-urban	l/100 km	5.5
combined	l/100 km	6.8
CO ₂	g/km	159
With 8J x 18 wheels and 225/45 R18 tyres / with winter tyres, with 8J x 18 wheels (front), 8.5J x 18 (rear) and 225/45 R18 tyres (front), 255/40 R18 (rear), with 8J x 19 wheels (front), 8.5J x 19 (rear) and 225/40 R19 tyres (front), 255/35 R19 (rear)		
urban	l/100 km	9.5
inter-urban	l/100 km	5.8
combined	l/100 km	7.2
CO ₂	g/km	167
Emission rating		EU6

Specifications apply to ACEA markets/data relevant to homologation applies in part only to Germany (weight)

¹⁾ Oil change

²⁾ Fuel consumption and CO₂ emissions depend on the selected tyre format

BMW 4 Series Convertible. 440i xDrive.

BMW 440i xDrive Convertible		
Body		
No of doors / seats		2 / 4
Length / width / height (unladen)	mm	4640 / 1825 / 1399
Wheelbase	mm	2810
Track, front / rear	mm	1543 / 1593
Ground clearance	mm	145
Turning circle	m	11.8
Fuel tank capacity	approx. l	60
Engine oil ¹⁾	l	6.5
Weight, unladen, to DIN/EU	kg	1850 / 1925
Max load to DIN	kg	450
Max permissible weight	kg	2300
Max axle load, front / rear	kg	1075 / 1255
Max trailer load, braked (12%) / unbraked	kg	1800 / 750
Max roofload / max towbar download	kg	- / 75
Luggage comp capacity	l	370
Air resistance	cd x A	0.31 x 2.16
Power Unit		
Config/No of cyls/valves		R / 6 / 4
Engine technology		BMW TwinPower Turbo technology with TwinScroll turbocharger, High Precision Direct Injection, VALVETRONIC fully variable valve control und Double-VANOS variable camshaft timing
Effective capacity	cc	2998
Stroke / bore	mm	94.6 / 82.0
Compression ratio	:1	11.0
Fuel		RON 90 – 98
Recommended fuel		RON 95
Max output	kW/hp	240 / 326
at	rpm	5500
Max torque	Nm/lb-ft	450/332
at	rpm	1380 – 5000
Electrical System		
Battery/installation	Ah/-	90 / Luggage compartment
Driving Dynamics and Safety		
Suspension, front		Aluminium double-joint spring strut axle with displaced camber, small positive steering roll radius, traverse force compensation, anti-dive
Suspension, rear		Five-link axle in lightweight construction
Brakes, front		Single-piston floating-calliper disc brakes / vented
Brakes, rear		Single-piston floating-calliper disc brakes / vented
Driving stability systems		Standard: DSC incl. ABS, ASC and DTC (Dynamic Traction Control), Cornering Brake Control (CBC), Dynamic Brake Control (DBC), Dry Braking function, Fading Compensation, Start-Off Assistant, cross-linking with xDrive all-wheel-drive system
Safety equipment		Standard: airbags for driver and front passenger, side airbags for driver and front passenger combined with head airbags, three-point inertia-reel seatbelts on all seats, integrated at the front with belt tensioners and belt force limiter, crash sensors, rollover protection system, tyre pressure indicator
Steering		Electric Power Steering (EPS) with Servotronic function; optional: Variable Sport Steering
Steering ratio, overall	:1	15.1
Tyres, front / rear		225/50 R17 98W XL
Rims, front / rear		7.5J x 17 LM

**BMW 440i xDrive
Convertible**

Transmission

Type of transmission	8-speed Steptronic		
Gear ratios	I	:1	5.000
	II	:1	3.200
	III	:1	2.143
	IV	:1	1.720
	V	:1	1.314
	VI	:1	1.000
	VII	:1	0.822
	VIII	:1	0.640
	R	:1	3.456
Final drive		:1	2.813

Performance

Power-to-weight ratio (DIN)	kg/kW	7.7
Output per litre	kW/l	80.1
Acceleration 0–100 km/h	s	5.4
Top speed	km/h	250

BMW EfficientDynamics

BMW EfficientDynamics standard features	Brake Energy Regeneration with recuperation display, Electric Power Steering (EPS), Auto Start Stop function, ECO PRO mode with coasting function, intelligent lightweight construction, optimised aerodynamic attributes, on-demand operation of ancillary units, map-regulated oil pump, rear differential with optimised warm-up behaviour, tyres with reduced rolling resistance
---	--

Fuel Consumption EU ²⁾

With standard wheels and tyres		
urban	l/100 km	9.8
inter-urban	l/100 km	5.8
combined	l/100 km	7.3
CO ₂	g/km	169
With 8J x 18 wheels and 225/45 R18 tyres / with winter tyres, with 8J x 18 wheels (front), 8.5J x 18 (rear) and 225/45 R18 tyres (front), 255/40 R18 (rear), with 8J x 19 wheels (front), 8.5J x 19 (rear) and 225/40 R19 tyres (front), 255/35 R19 (rear)		
urban	l/100 km	10.3
inter-urban	l/100 km	6.1
combined	l/100 km	7.6
CO ₂	g/km	177
Emission rating		EU6

Specifications apply to ACEA markets/data relevant to homologation applies in part only to Germany (weight)

¹⁾ Oil change

²⁾ Fuel consumption and CO₂ emissions depend on the selected tyre format

BMW 4 Series Convertible. 420d.

BMW 420d Convertible		
Body		
No of doors / seats		2 / 4
Length / width / height (unladen)	mm	4640 / 1825 / 1384
Wheelbase	mm	2810
Track, front / rear	mm	1544 / 1593
Ground clearance	mm	130
Turning circle	m	11.3
Fuel tank capacity	approx. l	57
Engine oil ¹⁾	l	5.0
Weight, unladen, to DIN/EU	kg	1700 / 1775 (1715 / 1790)
Max load to DIN	kg	470
Max permissible weight	kg	2170 (2185)
Max axle load, front / rear	kg	965 / 1255
Max trailer load, braked (12%) / unbraked	kg	1600 / 745
Max roofload / max towbar	kg	- / 75
Luggage comp capacity	l	370
Air resistance	cd x A	0.28 x 2.16
Power Unit		
Config/No of cyls/valves		In-line/4/4
Engine technology		BMW TwinPower Turbo technology: variable-geometry turbocharger, common-rail direct injection with solenoid valve injectors (max. injection pressure: 2000 bar)
Effective capacity	cc	1995
Stroke / bore	mm	90.0 / 84.0
Compression ratio	:1	16.5
Fuel		Diesel
Max output	kW/hp	140 / 190
at	rpm	4000
Max torque	Nm/lb-ft	400/295
at	rpm	1750 – 2500
Electrical System		
Battery/installation	Ah/-	90 / Luggage
Driving Dynamics and Safety		
Suspension, front		Aluminium double-joint spring strut axle with displaced camber, small positive steering roll radius, traverse force compensation, anti-dive
Suspension, rear		Five-link axle in lightweight construction
Brakes, front		Single-piston floating-calliper disc brakes / vented
Brakes, rear		Single-piston floating-calliper disc brakes / vented
Driving stability systems		Standard: DSC incl. ABS, ASC and DTC (Dynamic Traction Control), Cornering Brake Control (CBC), Dynamic Brake Control (DBC), Dry Braking function, Fading Compensation, Start-Off Assistant
Safety equipment		Standard: airbags for driver and front passenger, side airbags for driver and front passenger combined with head airbags, three-point inertia-reel seatbelts on all seats, integrated at the front with belt tensioners and belt force limiter, rollover protection system, crash sensors, tyre pressure indicator
Steering		Electric Power Steering (EPS) with Servotronic function; optional: Variable Sport Steering
Steering ratio, overall	:1	15.0
Tyres, front / rear		225/50 R17 94W
Rims, front / rear		7.5J x 17 LM

BMW 420d Convertible

Transmission

Type of transmission	6-speed manual (optional: 8-speed Steptronic)		
Gear ratios	I	:1	4.110 (5.000)
	II	:1	2.248 (3.200)
	III	:1	1.403 (2.143)
	IV	:1	1.000 (1.720)
	V	:1	0.802 (1.314)
	VI	:1	0.659 (1.000)
	VII	:1	– (0.822)
	VIII	:1	– (0.640)
	R	:1	3.727 (3.456)
Final drive		:1	3.385 (2.813)

Performance

Power-to-weight ratio (DIN)	kg/kW	12.1 (12.3)
Output per litre	kW/l	70.2
Acceleration 0–100 km/h	s	8.1 (8.0)
Top speed	km/h	235 (228)

BMW EfficientDynamics

BMW EfficientDynamics standard features	Brake Energy Regeneration with recuperation display, Electric Power Steering (EPS), Auto Start Stop function, Optimum Shift Indicator, ECO PRO mode with coasting function (automatic transmission), intelligent lightweight construction, optimised aerodynamic attributes, on-demand operation of ancillary units, map-regulated oil pump, differential with optimised-warm-up behaviour, tyres with reduced rolling resistance
---	---

Fuel Consumption EU²⁾

With standard wheels and tyres		
urban	l/100 km	5.7 (5.2)
inter-urban	l/100 km	4.3 (3.9)
combined	l/100 km	4.8 (4.4)
CO ₂	g/km	127 (116)
With 8J x 18 wheels and 225/45 R18 tyres / with winter tyres, with 8J x 18 wheels (front), 8.5J x 18 (rear) and 225/45 R18 tyres (front), 255/40 R18 (rear), with 8J x 19 wheels (front), 8.5J x 19 (rear) and 225/40 R19 tyres (front), 255/35 R19 (rear)		
urban	l/100 km	6.1 (5.6)
inter-urban	l/100 km	4.5 (4.2)
combined	l/100 km	5.1 (4.7)
CO ₂	g/km	134 (124)
Emission rating		EU6

Specifications apply to ACEA markets/data relevant to homologation applies in part only to Germany (weight)
Figures in brackets apply to models with automatic transmission

¹⁾ Oil change

²⁾ Fuel consumption and CO₂ emissions depend on the selected tyre format

BMW 4 Series Convertible. 430d.

BMW 430d Convertible		
Body		
No of doors / seats		2 / 4
Length / width / height (unladen)	mm	4640 / 1825 / 1384
Wheelbase	mm	2810
Track, front / rear	mm	1544 / 1593
Ground clearance	mm	130
Turning circle	m	11.3
Fuel tank capacity	approx. l	57
Engine oil ¹⁾	l	6.5
Weight, unladen, to DIN/EU	kg	1770 / 1845
Max load to DIN	kg	450
Max permissible weight	kg	2220
Max axle load, front / rear	kg	1025 / 1230
Max trailer load, braked (12%) / unbraked	kg	1800 / 750
Max roofload / max towbar	kg	- / 75
Luggage comp capacity	l	370
Air resistance	cd x A	0.29 x 2.16
Power Unit		
Config/No of cyls/valves		R / 6 / 4
Engine technology		BMW TwinPower Turbo technology: variable-geometry turbocharger, common-rail direct injection with solenoid valve injectors, max. injection pressure: 1800 bar
Effective capacity	cc	2993
Stroke / bore	mm	90.0 / 84.0
Compression ratio	:1	16.5
Fuel		Diesel
Max output	kW/hp	190 / 258
at	rpm	4000
Max torque	Nm/lb-ft	560/413
at	rpm	1500 – 3000
Electrical System		
Battery/installation	Ah/-	90 / Luggage
Driving Dynamics and Safety		
Suspension, front		Aluminium double-joint spring strut axle with displaced camber, small positive steering roll radius, traverse force compensation, anti-dive
Suspension, rear		Five-link axle in lightweight construction
Brakes, front		Single-piston floating-calliper disc brakes / vented
Brakes, rear		Single-piston floating-calliper disc brakes / vented
Driving stability systems		Standard: DSC incl. ABS, ASC and DTC (Dynamic Traction Control), Cornering Brake Control (CBC), Dynamic Brake Control (DBC), Dry Braking function, Fading Compensation, Start-Off Assistant
Safety equipment		Standard: airbags for driver and front passenger, side airbags for driver and front passenger combined with head airbags, three-point inertia-reel seatbelts on all seats, integrated at the front with belt tensioners and belt force limiter, rollover protection system, crash sensors, tyre pressure indicator
Steering		Electric Power Steering (EPS) with Servotronic function; optional: Variable Sport Steering
Steering ratio, overall	:1	15.0
Tyres, front / rear		225/50 R17 94W
Rims, front / rear		7.5J x 17 LM

BMW 430d Convertible

Transmission

Type of transmission			8-speed Steptronic
Gear ratios	I	:1	4.714
	II	:1	3.143
	III	:1	2.106
	IV	:1	1.667
	V	:1	1.285
	VI	:1	1.000
	VII	:1	0.839
	VIII	:1	0.667
	R	:1	3.317
Final drive			2.563

Performance

Power-to-weight ratio (DIN)	kg/kW	9.3
Output per litre	kW/l	63.5
Acceleration 0–100 km/h	s	5.9
Top speed	km/h	250

BMW EfficientDynamics

BMW EfficientDynamics standard features	Brake Energy Regeneration with recuperation display, Electric Power Steering (EPS), Auto Start Stop function, ECO PRO mode with coasting function, intelligent lightweight construction, optimised aerodynamic attributes, on-demand operation of ancillary units, differential with optimised warm-up behaviour, tyres with reduced rolling resistance
---	---

Fuel Consumption EU²⁾

With standard wheels and tyres		
urban	l/100 km	6.1
inter-urban	l/100 km	4.8
combined	l/100 km	5.3
CO ₂	g/km	139
With 8J x 18 wheels and 225/45 R18 tyres / with winter tyres, with 8J x 18 wheels (front), 8.5J x 18 (rear) and 225/45 R18 tyres (front), 255/40 R18 (rear), with 8J x 19 wheels (front), 8.5J x 19 (rear) and 225/40 R19 tyres (front), 255/35 R19 (rear)		
urban	l/100 km	6.3
inter-urban	l/100 km	5.0
combined	l/100 km	5.5
CO ₂	g/km	144
Emission rating	EU6	

Specifications apply to ACEA markets/data relevant to homologation applies in part only to Germany (weight)

¹⁾ Oil change

²⁾ Fuel consumption and CO₂ emissions depend on the selected tyre format

BMW 4 Series Convertible. 435d xDrive.

BMW 435d xDrive Convertible

Body

No of doors / seats		2 / 4
Length / width / height (unladen)	mm	4640 / 1825 / 1399
Wheelbase	mm	2810
Track, front / rear	mm	1543 / 1593
Ground clearance	mm	145
Turning circle	m	11.8
Fuel tank capacity	approx. l	57
Engine oil ¹⁾	l	6.5
Weight, unladen, to DIN/EU	kg	1850 / 1925
Max load to DIN	kg	440
Max permissible weight	kg	2290
Max axle load, front / rear	kg	1095 / 1230
Max trailer load, braked (12%) / unbraked	kg	1800 / 750
Max roofload / max towbar	kg	- / 75
Luggage comp capacity	l	370
Air resistance	cd x A	0.30 x 2.16

Power Unit

Config/No of cyls/valves		R / 6 / 4
Engine technology		BMW TwinPower Turbo technology: multi-stage high-pressure turbocharging with variable turbine geometry, common-rail direct injection with piezo injectors, max. injection pressure: 2000 bar
Effective capacity	cc	2993
Stroke / bore	mm	90.0 / 84.0
Compression ratio	:1	16.5
Fuel		Diesel
Max output	kW/hp	230 / 313
at	rpm	4400
Max torque	Nm/lb-ft	630/464
at	rpm	1500 – 2500

Electrical System

Battery/installation	Ah/-	90 / Luggage
----------------------	------	--------------

Driving Dynamics and Safety

Suspension, front		Aluminium double-joint spring strut axle with displaced camber, small positive steering roll radius, traverse force compensation, anti-dive
Suspension, rear		Five-link axle in lightweight construction
Brakes, front		Single-piston floating-calliper disc brakes / vented
Brakes, rear		Single-piston floating-calliper disc brakes / vented
Driving stability systems		Standard: DSC incl. ABS, ASC and DTC (Dynamic Traction Control), Cornering Brake Control (CBC), Dynamic Brake Control (DBC), Dry Braking function, Fading Compensation, Start-Off Assistant, cross-linking with xDrive all-wheel-drive system in the Integrated Chassis Management (ICM)
Safety equipment		Standard: airbags for driver and front passenger, side airbags for driver and front passenger combined with head airbags, three-point inertia-reel seatbelts on all seats, integrated at the front with belt tensioners and belt force limiter, rollover protection system, crash sensors, tyre pressure indicator
Steering		Electric Power Steering (EPS) with Servotronic function; optional: Variable Sport Steering
Steering ratio, overall	:1	15.1
Tyres, front / rear		225/50 R17 94W
Rims, front / rear		7.5J x 17 LM

BMW 435d xDrive Convertible

Transmission

Type of transmission			8-speed Steptronic
Gear ratios	I	:1	4.714
	II	:1	3.143
	III	:1	2.106
	IV	:1	1.667
	V	:1	1.285
	VI	:1	1.000
	VII	:1	0.839
	VIII	:1	0.667
	R	:1	3.317
Final drive			2.563

Performance

Power-to-weight ratio (DIN)	kg/kW	8.0
Output per litre	kW/l	76.8
Acceleration 0–100 km/h	s	5.2
Top speed	km/h	250

BMW EfficientDynamics

BMW EfficientDynamics standard features	Brake Energy Regeneration with recuperation display, Electric Power Steering (EPS), Auto Start Stop function, ECO PRO mode with coasting function, intelligent lightweight construction, optimised aerodynamic attributes, on-demand operation of ancillary units, rear differential with optimised warm-up behaviour, tyres with reduced rolling resistance
---	--

Fuel Consumption EU ²⁾

With standard wheels and tyres		
urban	l/100 km	6.8
inter-urban	l/100 km	5.2
combined	l/100 km	5.7
CO ₂	g/km	151
With 8J x 18 wheels and 225/45 R18 tyres / with winter tyres, with 8J x 18 wheels (front), 8.5J x 18 (rear) and 225/45 R18 tyres (front), 255/40 R18 (rear), with 8J x 19 wheels (front), 8.5J x 19 (rear) and 225/40 R19 tyres (front), 255/35 R19 (rear)		
urban	l/100 km	7.0
inter-urban	l/100 km	5.3
combined	l/100 km	5.9
CO ₂	g/km	155
Emission rating	EU6	

Specifications apply to ACEA markets/data relevant to homologation applies in part only to Germany (weight)

¹⁾ Oil change

²⁾ Fuel consumption and CO₂ emissions depend on the selected tyre format

BMW 4 Series Gran Coupe. 420i, 430i.

		BMW 420i Gran Coupe	BMW 430i Gran Coupe
Body			
No of doors / seats		4 / 5	4 / 5
Length / width / height (unladen)	mm	4640 / 1825 / 1389	4640 / 1825 / 1389
Wheelbase	mm	2810	2810
Track, front / rear	mm	1545 / 1592	1545 / 1592
Ground clearance	mm	130	130
Turning circle	m	11.3	11.3
Fuel tank capacity	approx. l	60	60
Engine oil ¹⁾	l	5.25	5.25
Weight, unladen, to DINEU	kg	1520 / 1595 (1540 / 1615)	1520 / 1595 (1540 / 1615)
Max load to DIN	kg	560	560
Max permissible weight	kg	2080 (2100)	2080 (2100)
Max axle load, front / rear	kg	945 / 1210	955 / 1215
Max trailer load, braked (12%) / unbraked	kg	1400 (1500) / 695	1600 / 745
Max roofload / max towbar download	kg	75 / 75	75 / 75
Luggage comp capacity	l	480 – 1300	480 – 1300
Air resistance	cd x A	0.29 x 2.16	0.29 x 2.16
Power Unit			
Config/No of cyls/valves		In-line/4/4	In-line/4/4
Engine technology		BMW TwinPower Turbo technology with TwinScroll turbocharger, High Precision Direct Injection, VALVETRONIC fully variable valve control und Double-VANOS variable camshaft timing	
Effective capacity	cc	1998	1998
Stroke / bore	mm	94.6 / 82.0	94.6 / 82.0
Compression ratio	:1	11.0	10.2
Fuel		RON 90 – 98	RON 90 – 98
Recommended fuel		RON 95	RON 95
Max output	kW/hp	135 / 184	185 / 252
at	rpm	5000	5200
Max torque	Nm/lb-ft	290/214 (270/199)	350/258
at	rpm	1350 – 4600	1450 – 4800
Electrical System			
Battery/installation	Ah/-	90 / Luggage compartment	90 / Luggage compartment
Driving Dynamics and Safety			
Suspension, front		Aluminium double-joint spring strut axle with displaced camber, small positive steering roll radius, traverse force compensation, anti-dive	
Suspension, rear		Five-link axle in lightweight construction	
Brakes, front		Single-piston floating-calliper disc brakes / vented	
Brakes, rear		Single-piston floating-calliper disc brakes / vented	
Driving stability systems		Standard: DSC incl. ABS, ASC and DTC (Dynamic Traction Control), Cornering Brake Control (CBC), Dynamic Brake Control (DBC), Dry Braking function, Fading Compensation, Start-Off Assistant	
Safety equipment		Standard: airbags for driver and front passenger, side airbags for driver and front passenger, head airbags for 1st and 2nd seat row, three-point inertia-reel belts on all seats, integrated at the front with belt tensioners and belt force limiter, crash sensors, tyre pressure indicator	
Steering		Electric Power Steering (EPS) with Servotronic function; optional: Variable Sport Steering	
Steering ratio, overall	:1	15.0	15.0
Tyres, front / rear		225/50 R17 94W	225/50 R17 94W
Rims, front / rear		7.5J x 17 LM	7.5J x 17 LM

			BMW 420i Gran Coupe	BMW 430i Gran Coupe
Transmission				
Type of transmission	6-speed manual (optional: 8-speed Steptronic)			
Gear ratios	I	:1	4.002 (5.000)	3.683 (5.000)
	II	:1	2.130 (3.200)	2.062 (3.200)
	III	:1	1.396 (2.143)	1.313 (2.143)
	IV	:1	1.000 (1.720)	1.000 (1.720)
	V	:1	0.781 (1.314)	0.809 (1.314)
	VI	:1	0.668 (1.000)	0.677 (1.000)
	VII	:1	– (0.822)	– (0.822)
	VIII	:1	– (0.640)	– (0.640)
	R	:1	3.647 (3.456)	3.348 (3.456)
Final drive		:1	3.385 (2.813)	3.909 (2.813)
Performance				
Power-to-weight ratio (DIN)	kg/kW		11.3 (11.4)	8.2 (8.3)
Output per litre	kW/l		67.6	92.6
Acceleration 0–100 km/h	s		7.5 (7.7)	5.9 (5.9)
Top speed	km/h		236 (236)	250 (250)
BMW EfficientDynamics				
BMW EfficientDynamics standard features	Brake Energy Regeneration with recuperation display, Electric Power Steering (EPS), Auto Start Stop function, Optimum Shift Indicator, ECO PRO mode with coasting function (automatic transmission), intelligent lightweight construction, optimised aerodynamic attributes, on-demand operation of ancillary units, map-regulated oil pump, differential with optimised-warm-up behaviour, tyres with reduced rolling resistance			
Fuel Consumption EU ²⁾				
With standard wheels and tyres				
urban	l/100 km		7.7 (7.1)	7.9 (7.0)
inter-urban	l/100 km		4.7 (4.5)	5.1 (4.7)
combined	l/100 km		5.8 (5.5)	6.1 (5.5)
CO ₂	g/km		134 (127)	143 (129)
With 8J x 18 wheels and 225/45 R18 tyres / with winter tyres, with 8J x 18 wheels (front), 8.5J x 18 (rear) and 225/45 R18 tyres (front), 255/40 R18 (rear), with 8J x 19 wheels (front), 8.5J x 19 (rear) and 225/40 R19 tyres (front), 255/35 R19 (rear)				
urban	l/100 km		8.1 (7.6)	8.4 (7.4)
inter-urban	l/100 km		4.9 (4.7)	5.4 (4.9)
combined	l/100 km		6.1 (5.8)	6.5 (5.8)
CO ₂	g/km		141 (134)	151 (136)
Emission rating			EU6	EU6

Specifications apply to ACEA markets/data relevant to homologation applies in part only to Germany (weight)
Figures in brackets apply to models with automatic transmission

¹⁾ Oil change

²⁾ Fuel consumption and CO₂ emissions depend on the selected tyre format

BMW 4 Series Gran Coupe. 420i xDrive, 430i xDrive.

		BMW 420i xDrive Gran Coupe	BMW 430i xDrive Gran Coupe
Body			
No of doors / seats		4 / 5	4 / 5
Length / width / height (unladen)	mm	4640 / 1825 / 1404	4640 / 1825 / 1404
Wheelbase	mm	2810	2810
Track, front / rear	mm	1543 / 1592	1543 / 1592
Ground clearance	mm	145	145
Turning circle	m	11.8	11.8
Fuel tank capacity	approx. l	60	60
Engine oil ¹⁾	l	5.25	5.25
Weight, unladen, to DINEU	kg	1600 / 1675 (1615 / 1690)	1615 / 1690
Max load to DIN	kg	560	560
Max permissible weight	kg	2160 (2175)	2175
Max axle load, front / rear	kg	995 / 1230	995 / 1230
Max trailer load, braked (12%) / unbraked	kg	1700 / 750	1700 / 750
Max roofload / max towbar download	kg	75 / 75	75 / 75
Luggage comp capacity	l	480 – 1300	480 – 1300
Air resistance	cd x A	0.30 x 2.16	0.30 x 2.16
Power Unit			
Config/No of cyls/valves		In-line/4/4	In-line/4/4
Engine technology		BMW TwinPower Turbo technology with TwinScroll turbocharger, High Precision Direct Injection, VALVETRONIC fully variable valve control und Double-VANOS variable camshaft timing	
Effective capacity	cc	1998	1998
Stroke / bore	mm	94.6 / 82.0	94.6 / 82.0
Compression ratio	:1	11.0	10.2
Fuel		RON 90 – 98	RON 90 – 98
Recommended fuel		RON 95	RON 95
Max output	kW/hp	135 / 184	185 / 252
at	rpm	5000	5200
Max torque	Nm/lb-ft	270/199	350/258
at	rpm	1350 – 4600	1450 – 4800
Electrical System			
Battery/installation	Ah/-	90 / Luggage compartment	90 / Luggage compartment
Driving Dynamics and Safety			
Suspension, front		Aluminium double-joint spring strut axle with displaced camber, small positive steering roll radius, traverse force compensation, anti-dive	
Suspension, rear		Five-link axle in lightweight construction	
Brakes, front		Single-piston floating-calliper disc brakes / vented	
Brakes, rear		Single-piston floating-calliper disc brakes / vented	
Driving stability systems		Standard: DSC incl. ABS, ASC and DTC (Dynamic Traction Control), Cornering Brake Control (CBC), Dynamic Brake Control (DBC), Dry Braking function, Fading Compensation, Start-Off Assistant, cross-linking with xDrive all-wheel-drive system	
Safety equipment		Standard: airbags for driver and front passenger, side airbags for driver and front passenger, head airbags for 1st and 2nd seat row, three-point inertia-reel belts on all seats, integrated at the front with belt tensioners and belt force limiter, crash sensors, tyre pressure indicator	
Steering		Electric Power Steering (EPS) with Servotronic function; optional: Variable Sport Steering	
Steering ratio, overall	:1	15.1	15.1
Tyres, front / rear		225/50 R17 94W	225/50 R17 94W
Rims, front / rear		7.5J x 17 LM	7.5J x 17 LM

			BMW 420i xDrive Gran Coupe	BMW 430i xDrive Gran Coupe
Transmission				
Type of transmission			6-speed manual (optional: 8-speed Steptronic)	8-speed Steptronic
Gear ratios	I	:1	4.110 (5.000)	5.000
	II	:1	2.315 (3.200)	3.200
	III	:1	1.542 (2.143)	2.143
	IV	:1	1.179 (1.720)	1.720
	V	:1	1.000 (1.314)	1.314
	VI	:1	0.846 (1.000)	1.000
	VII	:1	– (0.822)	0.822
	VIII	:1	– (0.640)	0.640
	R	:1	3.727 (3.456)	3.456
Final drive		:1	3.385 (2.813)	2.813
Performance				
Power-to-weight ratio (DIN)	kg/kW		11.9 (12.0)	8.7
Output per litre	kW/l		67.6	92.6
Acceleration 0–100 km/h	s		7.8 (8.1)	5.9
Top speed	km/h		233 (231)	250
BMW EfficientDynamics				
BMW EfficientDynamics standard features	Brake Energy Regeneration with recuperation display, Electric Power Steering (EPS), Auto Start Stop function, Optimum Shift Indicator (manual gearbox), ECO PRO mode with coasting function (automatic transmission), intelligent lightweight construction, optimised aerodynamic attributes, on-demand operation of ancillary units, map-regulated oil pump, rear differential with optimised warm-up behaviour, tyres with reduced rolling resistance			
Fuel Consumption EU ²⁾				
With standard wheels and tyres				
urban	l/100 km		8.7 (7.7)	7.5
inter-urban	l/100 km		5.4 (4.8)	5.0
combined	l/100 km		6.6 (5.9)	5.9
CO ₂	g/km		154 (137)	138
With 8J x 18 wheels and 225/45 R18 tyres / with winter tyres, with 8J x 18 wheels (front), 8.5J x 18 (rear) and 225/45 R18 tyres (front), 255/40 R18 (rear), with 8J x 19 wheels (front), 8.5J x 19 (rear) and 225/40 R19 tyres (front), 255/35 R19 (rear)				
urban	l/100 km		9.0 (8.1)	7.8
inter-urban	l/100 km		5.7 (5.1)	5.2
combined	l/100 km		6.9 (6.2)	6.2
CO ₂	g/km		161 (144)	144
Emission rating	EU6			EU6

Specifications apply to ACEA markets/data relevant to homologation applies in part only to Germany (weight)
BMW 420i xDrive Gran Coupe: Figures in brackets apply to models with automatic transmission

¹⁾ Oil change

²⁾ Fuel consumption and CO₂ emissions depend on the selected tyre format

BMW 4 Series Gran Coupe. 440i.

BMW 440i Gran Coupe		
Body		
No of doors / seats		4 / 5
Length / width / height (unladen)	mm	4640 / 1825 / 1389
Wheelbase	mm	2810
Track, front / rear	mm	1545 / 1592
Ground clearance	mm	130
Turning circle	m	11.3
Fuel tank capacity	approx. l	60
Engine oil ¹⁾	l	6.5
Weight, unladen, to DINEU	kg	1615 / 1690
Max load to DIN	kg	560
Max permissible weight	kg	2175
Max axle load, front / rear	kg	1000 / 1230
Max trailer load, braked (12%) / unbraked	kg	1700 / 750
Max roofload / max towbar download	kg	75 / 75
Luggage comp capacity	l	480 – 1300
Air resistance	cd x A	0.29 x 2.16
Power Unit		
Config/No of cyls/valves		R / 6 / 4
Engine technology		BMW TwinPower Turbo technology with TwinScroll turbocharger, High Precision Direct Injection, VALVETRONIC fully variable valve control und Double-VANOS variable camshaft timing
Effective capacity	cc	2998
Stroke / bore	mm	94.6 / 82.0
Compression ratio	:1	11.0
Fuel		RON 90 – 98
Recommended fuel		RON 95
Max output	kW/hp	240 / 326
at	rpm	5500
Max torque	Nm/lb-ft	450/332
at	rpm	1380 – 5000
Electrical System		
Battery/installation	Ah/–	90 / Luggage compartment
Driving Dynamics and Safety		
Suspension, front		Aluminium double-joint spring strut axle with displaced camber, small positive steering roll radius, traverse force compensation, anti-dive
Suspension, rear		Five-link axle in lightweight construction
Brakes, front		Single-piston floating-calliper disc brakes / vented
Brakes, rear		Single-piston floating-calliper disc brakes / vented
Driving stability systems		Standard: DSC incl. ABS, ASC and DTC (Dynamic Traction Control), Cornering Brake Control (CBC), Dynamic Brake Control (DBC), Dry Braking function, Fading Compensation, Start-Off Assistant
Safety equipment		Standard: airbags for driver and front passenger, side airbags for driver and front passenger, head airbags for 1st and 2nd seat row, three-point inertia-reel belts on all seats, integrated at the front with belt tensioners and belt force limiter, crash sensors, tyre pressure indicator
Steering		Electric Power Steering (EPS) with Servotronic function; optional: Variable Sport Steering
Steering ratio, overall	:1	15.0
Tyres, front / rear		225/50 R17 94W
Rims, front / rear		7.5J x 17 LM

BMW 440i Gran Coupe

Transmission

Type of transmission	8-speed Steptronic	
Gear ratios	I :1	5.000
	II :1	3.200
	III :1	2.143
	IV :1	1.720
	V :1	1.314
	VI :1	1.000
	VII :1	0.822
	VIII :1	0.640
	R :1	3.456
Final drive	:1	2.813

Performance

Power-to-weight ratio (DIN)	kg/kW	6.7
Output per litre	kW/l	80.1
Acceleration 0–100 km/h	s	5.1
Top speed	km/h	250

BMW EfficientDynamics

BMW EfficientDynamics standard features	Brake Energy Regeneration with recuperation display, Electric Power Steering (EPS), Auto Start Stop function, ECO PRO mode with coasting function, intelligent lightweight construction, optimised aerodynamic attributes, on-demand operation of ancillary units, map-regulated oil pump, differential with optimised-warm-up behaviour, tyres with reduced rolling resistance
---	---

Fuel Consumption EU ²⁾

With standard wheels and tyres		
urban	l/100 km	8.8
inter-urban	l/100 km	5.3
combined	l/100 km	6.6
CO ₂	g/km	154
With 8J x 18 wheels and 225/45 R18 tyres / with winter tyres, with 8J x 18 wheels (front), 8.5J x 18 (rear) and 225/45 R18 tyres (front), 255/40 R18 (rear), with 8J x 19 wheels (front), 8.5J x 19 (rear) and 225/40 R19 tyres (front), 255/35 R19 (rear)		
urban	l/100 km	9.1
inter-urban	l/100 km	5.5
combined	l/100 km	6.8
CO ₂	g/km	159
Emission rating		EU6

Specifications apply to ACEA markets/data relevant to homologation applies in part only to Germany (weight)

¹⁾ Oil change

²⁾ Fuel consumption and CO₂ emissions depend on the selected tyre format

BMW 4 Series Gran Coupe. 440i xDrive.

BMW 440i xDrive Gran Coupe

Body

No of doors / seats		4 / 5
Length / width / height (unladen)	mm	4640 / 1825 / 1404
Wheelbase	mm	2810
Track, front / rear	mm	1543 / 1592
Ground clearance	mm	145

Turning circle	m	11.8
Fuel tank capacity	approx. l	60
Engine oil ¹⁾	l	6.5
Weight, unladen, to DINEU	kg	1685 / 1760
Max load to DIN	kg	560
Max permissible weight	kg	2245
Max axle load, front / rear	kg	1065 / 1230
Max trailer load, braked (12%) / unbraked	kg	1800 / 750
Max roofload / max towbar download	kg	75 / 75
Luggage comp capacity	l	480 – 1300
Air resistance	cd x A	0.30 x 2.16

Power Unit

Config/No of cyls/valves		R / 6 / 4
Engine technology		BMW TwinPower Turbo technology with TwinScroll turbocharger, High Precision Direct Injection, VALVETRONIC fully variable valve control und Double-VANOS variable camshaft timing
Effective capacity	cc	2998
Stroke / bore	mm	94.6 / 82.0
Compression ratio	:1	11.0
Fuel		RON 90 – 98
Recommended fuel		RON 95
Max output	kW/hp	240 / 326
at	rpm	5500
Max torque	Nm/lb-ft	450/332
at	rpm	1380 – 5000

Electrical System

Battery/installation	Ah/–	90 / Luggage compartment
----------------------	------	--------------------------

Driving Dynamics and Safety

Suspension, front	Aluminium double-joint spring strut axle with displaced camber, small positive steering roll radius, traverse force compensation, anti-dive
Suspension, rear	Five-link axle in lightweight construction
Brakes, front	Single-piston floating-calliper disc brakes / vented
Brakes, rear	Single-piston floating-calliper disc brakes / vented
Driving stability systems	Standard: DSC incl. ABS, ASC and DTC (Dynamic Traction Control), Cornering Brake Control (CBC), Dynamic Brake Control (DBC), Dry Braking function, Fading Compensation, Start-Off Assistant, cross-linking with xDrive all-wheel-drive system
Safety equipment	Standard: airbags for driver and front passenger, side airbags for driver and front passenger, head airbags for 1st and 2nd seat row, three-point inertia-reel belts on all seats, integrated at the front with belt tensioners and belt force limiter, crash sensors, tyre pressure indicator
Steering	Electric Power Steering (EPS) with Servotronic function; optional: Variable Sport Steering
Steering ratio, overall	:1 15.1
Tyres, front / rear	225/50 R17 94W
Rims, front / rear	7.5J x 17 LM

BMW 440i xDrive Gran Coupe

Transmission

Type of transmission	8-speed Steptronic	
Gear ratios	I :1	5.000
	II :1	3.200
	III :1	2.143
	IV :1	1.720
	V :1	1.314
	VI :1	1.000
	VII :1	0.822
	VIII :1	0.640
	R :1	3.456
Final drive	:1	2.813

Performance

Power-to-weight ratio (DIN)	kg/kW	7.0
Output per litre	kW/l	80.1
Acceleration 0–100 km/h	s	5.0
Top speed	km/h	250

BMW EfficientDynamics

BMW EfficientDynamics standard features	Brake Energy Regeneration with recuperation display, Electric Power Steering (EPS), Auto Start Stop function, ECO PRO mode with coasting function, intelligent lightweight construction, optimised aerodynamic attributes, on-demand operation of ancillary units, map-regulated oil pump, rear differential with optimised warm-up behaviour, tyres with reduced rolling resistance
---	--

Fuel Consumption EU ²⁾

With standard wheels and tyres		
urban	l/100 km	9.5
inter-urban	l/100 km	5.7
combined	l/100 km	7.1
CO ₂	g/km	165
With 8J x 18 wheels and 225/45 R18 tyres / with winter tyres, with 8J x 18 wheels (front), 8.5J x 18 (rear) and 225/45 R18 tyres (front), 255/40 R18 (rear), with 8J x 19 wheels (front), 8.5J x 19 (rear) and 225/40 R19 tyres (front), 255/35 R19 (rear)		
urban	l/100 km	9.9
inter-urban	l/100 km	5.9
combined	l/100 km	7.4
CO ₂	g/km	172
Emission rating		EU6

Specifications apply to ACEA markets/data relevant to homologation applies in part only to Germany (weight)

¹⁾ Oil change

²⁾ Fuel consumption and CO₂ emissions depend on the selected tyre format

BMW 4 Series Gran Coupe. 418d.

BMW 418d Gran Coupe		
Body		
No of doors / seats		4 / 5
Length / width / height (unladen)	mm	4640 / 1825 / 1389
Wheelbase	mm	2810
Track, front / rear	mm	1557 / 1604
Ground clearance	mm	130
Turning circle	m	11.3
Fuel tank capacity	approx. l	57
Engine oil ¹⁾	l	5.0
Weight, unladen, to DINEU	kg	1510 / 1585 (1530 / 1605)
Max load to DIN	kg	560
Max permissible weight	kg	2070 (2090)
Max axle load, front / rear	kg	945 / 1215
Max trailer load, braked (12%) / unbraked	kg	1600 / 745
Max roofload / max towbar download	kg	75 / 75
Luggage comp capacity	l	480 – 1300
Air resistance	cd x A	0.27 x 2.16
Power Unit		
Config/No of cyls/valves		In-line/4/4
Engine technology		BMW TwinPower Turbo technology: variable-geometry turbocharger, common-rail direct injection with solenoid valve injectors (max. injection pressure: 2000 bar)
Effective capacity	cc	1995
Stroke / bore	mm	90.0 / 84.0
Compression ratio	:1	16.5
Fuel		Diesel
Max output	kW/hp	110 / 150
at	rpm	4000
Max torque	Nm/lb-ft	320/236
at	rpm	1500 – 3000
Electrical System		
Battery/installation	Ah/-	90 / Luggage compartment
Driving Dynamics and Safety		
Suspension, front		Aluminium double-joint spring strut axle with displaced camber, small positive steering roll radius, traverse force compensation, anti-dive
Suspension, rear		Five-link axle in lightweight construction
Brakes, front		Single-piston floating-calliper disc brakes / vented
Brakes, rear		Single-piston floating-calliper disc brakes / vented
Driving stability systems		Standard: DSC incl. ABS, ASC and DTC (Dynamic Traction Control), Cornering Brake Control (CBC), Dynamic Brake Control (DBC), Dry Braking function, Fading Compensation, Start-Off Assistant
Safety equipment		Standard: airbags for driver and front passenger, side airbags for driver and front passenger, head airbags for 1st and 2nd seat row, three-point inertia-reel belts on all seats, integrated at the front with belt tensioners and belt force limiter, crash sensors, tyre pressure indicator
Steering		Electric Power Steering (EPS) with Servotronic function, optional: Variable Sport Steering
Steering ratio, overall	:1	15.0
Tyres, front / rear		205/60 R16 92V
Rims, front / rear		7J x 16 LM

BMW 418d Gran Coupe

Transmission

Type of transmission	6-speed manual (8-speed Steptronic)		
Gear ratios	I	:1	4.002 (5.000)
	II	:1	2.109 (3.200)
	III	:1	1.396 (2.143)
	IV	:1	1.000 (1.720)
	V	:1	0.781 (1.314)
	VI	:1	0.668 (1.000)
	VII	:1	– (0.822)
	VIII	:1	– (0.640)
	R	:1	3.647 (3.456)
Final drive		:1	3.231 (2.813)

Performance

Power-to-weight ratio (DIN)	kg/kW	13.7 (13.9)
Output per litre	kW/l	55.1
Acceleration 0–100 km/h	s	9.0 (8.9)
Top speed	km/h	213 (213)

BMW EfficientDynamics

BMW EfficientDynamics standard features	Brake Energy Regeneration with recuperation display, Electric Power Steering (EPS), Auto Start Stop function, Optimum Shift Indicator, ECO PRO mode with coasting function (automatic transmission), intelligent lightweight construction, optimised aerodynamic attributes, on-demand operation of ancillary units, map-regulated oil pump, differential with optimised warm-up behaviour, tyres with reduced rolling resistance
---	---

Fuel Consumption EU ²⁾

With standard wheels and tyres		
urban	l/100 km	5.0 (4.9)
inter-urban	l/100 km	3.6 (3.6)
combined	l/100 km	4.1 (4.1)
CO ₂	g/km	109 (107)
With 8J x 18 wheels and 225/45 R18 tyres, with 8J x 18 wheels (front), 8.5J x 18 (rear) and 225/45 R18 tyres (front), 255/40 R18 (rear), with 8J x 19 wheels (front), 8.5J x 19 (rear) and 225/40 R19 tyres (front), 255/35 R19 (rear)		
urban	l/100 km	5.4 (5.3)
inter-urban	l/100 km	3.9 (3.9)
combined	l/100 km	4.5 (4.4)
CO ₂	g/km	118 (116)
Emission rating		EU6

Specifications apply to ACEA markets/data relevant to homologation applies in part only to Germany (weight)
Figures in brackets apply to models with automatic transmission

¹⁾ Oil change

²⁾ Fuel consumption and CO₂ emissions depend on the selected tyre format

BMW 4 Series Gran Coupe. 420d.

BMW 420d Gran Coupe		
Body		
No of doors / seats		4 / 5
Length / width / height (unladen)	mm	4640 / 1825 / 1389
Wheelbase	mm	2810
Track, front / rear	mm	1545 / 1592
Ground clearance	mm	130
Turning circle	m	11.3
Fuel tank capacity	approx. l	57
Engine oil ¹⁾	l	5.0
Weight, unladen, to DINEU	kg	1520 / 1595 (1540 / 1615)
Max load to DIN	kg	560
Max permissible weight	kg	2080 (2100)
Max axle load, front / rear	kg	945 / 1215
Max trailer load, braked (12%) / unbraked	kg	1600 / 745
Max roofload / max towbar download	kg	75 / 75
Luggage comp capacity	l	480 – 1300
Air resistance	cd x A	0.28 x 2.16
Power Unit		
Config/No of cyls/valves		In-line/4/4
Engine technology		BMW TwinPower Turbo technology: variable-geometry turbocharger, common-rail direct injection with solenoid valve injectors, max. injection pressure: 2000 bar
Effective capacity	cc	1995
Stroke / bore	mm	90.0 / 84.0
Compression ratio	:1	16.5
Fuel		Diesel
Max output	kW/hp	140 / 190
at	rpm	4000
Max torque	Nm/lb-ft	400/295
at	rpm	1750 – 2500
Electrical System		
Battery/installation	Ah/-	90 / Luggage compartment
Driving Dynamics and Safety		
Suspension, front		Aluminium double-joint spring strut axle with displaced camber, small positive steering roll radius, traverse force compensation, anti-dive
Suspension, rear		Five-link axle in lightweight construction
Brakes, front		Single-piston floating-calliper disc brakes / vented
Brakes, rear		Single-piston floating-calliper disc brakes / vented
Driving stability systems		Standard: DSC incl. ABS, ASC and DTC (Dynamic Traction Control), Cornering Brake Control (CBC), Dynamic Brake Control (DBC), Dry Braking function, Fading Compensation, Start-Off Assistant
Safety equipment		Standard: airbags for driver and front passenger, side airbags for driver and front passenger, head airbags for 1st and 2nd seat row, three-point inertia-reel belts on all seats, integrated at the front with belt tensioners and belt force limiter, crash sensors, tyre pressure indicator
Steering		Electric Power Steering (EPS) with Servotronic function, optional: Variable Sport Steering
Steering ratio, overall	:1	15.0
Tyres, front / rear		225/50 R17 94W
Rims, front / rear		7.5J x 17 LM

BMW 420d Gran Coupe

Transmission

Type of transmission	6-speed manual (8-speed Steptronic)		
Gear ratios	I	:1	4.110 (5.000)
	II	:1	2.248 (3.200)
	III	:1	1.403 (2.143)
	IV	:1	1.000 (1.720)
	V	:1	0.802 (1.314)
	VI	:1	0.659 (1.000)
	VII	:1	– (0.822)
	VIII	:1	– (0.640)
	R	:1	3.727 (3.456)
Final drive		:1	3.154 (2.813)

Performance

Power-to-weight ratio (DIN)	kg/kW	10.9 (11.0)
Output per litre	kW/l	70.2
Acceleration 0–100 km/h	s	7.5 (7.3)
Top speed	km/h	240 (231)

BMW EfficientDynamics

BMW EfficientDynamics standard features	Brake Energy Regeneration with recuperation display, Electric Power Steering (EPS), Auto Start Stop function, Optimum Shift Indicator, ECO PRO mode with coasting function (automatic transmission), intelligent lightweight construction, optimised aerodynamic attributes, on-demand operation of ancillary units, map-regulated oil pump, differential with optimised warm-up behaviour, tyres with reduced rolling resistance
---	---

Fuel Consumption EU ²⁾

With standard wheels and tyres		
urban	l/100 km	5.1 (4.7)
inter-urban	l/100 km	3.7 (3.6)
combined	l/100 km	4.2 (4.0)
CO ₂	g/km	111 (106)
With 8J x 18 wheels and 225/45 R18 tyres / with winter tyres, with 8J x 18 wheels (front), 8.5J x 18 (rear) and 225/45 R18 tyres (front), 255/40 R18 (rear), with 8J x 19 wheels (front), 8.5J x 19 (rear) and 225/40 R19 tyres (front), 255/35 R19 (rear)		
urban	l/100 km	5.5 (5.1)
inter-urban	l/100 km	3.9 (3.9)
combined	l/100 km	4.5 (4.3)
CO ₂	g/km	119 (114)
Emission rating		EU6

Specifications apply to ACEA markets/data relevant to homologation applies in part only to Germany (weight)
Figures in brackets apply to models with automatic transmission

¹⁾ Oil change

²⁾ Fuel consumption and CO₂ emissions depend on the selected tyre format

BMW 4 Series Gran Coupe. 420d xDrive.

BMW 420d xDrive Gran Coupe		
Body		
No of doors / seats		4 / 5
Length / width / height (unladen)	mm	4640 / 1825 / 1404
Wheelbase	mm	2810
Track, front / rear	mm	1543 / 1592
Ground clearance	mm	145
Turning circle	m	11.8
Fuel tank capacity	approx. l	57
Engine oil ¹⁾	l	5.0
Weight, unladen, to DINEU	kg	1595 / 1670 (1615 / 1690)
Max load to DIN	kg	560
Max permissible weight	kg	2155 (2175)
Max axle load, front / rear	kg	1005 / 1230
Max trailer load, braked (12%) / unbraked	kg	1600 / 750
Max roofload / max towbar download	kg	75 / 75
Luggage comp capacity	l	480 – 1300
Air resistance	cd x A	0.29 x 2.16
Power Unit		
Config/No of cyls/valves		In-line/4/4
Engine technology		BMW TwinPower Turbo technology: variable-geometry turbocharger, common-rail direct injection with solenoid valve injectors, max. injection pressure: 2000 bar
Effective capacity	cc	1995
Stroke / bore	mm	90.0 / 84.0
Compression ratio	:1	16.5
Fuel		Diesel
Max output	kW/hp	140 / 190
at	rpm	4000
Max torque	Nm/lb-ft	400/295
at	rpm	1750 – 2500
Electrical System		
Battery/installation	Ah/-	90 / Luggage compartment
Driving Dynamics and Safety		
Suspension, front		Aluminium double-joint spring strut axle with displaced camber, small positive steering roll radius, traverse force compensation, anti-dive
Suspension, rear		Five-link axle in lightweight construction
Brakes, front		Single-piston floating-calliper disc brakes / vented
Brakes, rear		Single-piston floating-calliper disc brakes / vented
Driving stability systems		Standard: DSC incl. ABS, ASC and DTC (Dynamic Traction Control), Cornering Brake Control (CBC), Dynamic Brake Control (DBC), Dry Braking function, Fading Compensation, Start-Off Assistant, cross-linking with xDrive all-wheel- drive system in the Integrated Chassis Management (ICM)
Safety equipment		Standard: airbags for driver and front passenger, side airbags for driver and front passenger, head airbags for 1st and 2nd seat row, three-point inertia-reel belts on all seats, integrated at the front with belt tensioners and belt force limiter, crash sensors, tyre pressure indicator
Steering		Electric Power Steering (EPS) with Servotronic function, optional: Variable Sport Steering
Steering ratio, overall	:1	15.1
Tyres, front / rear		225/50 R17 94W
Rims, front / rear		7.5J x 17 LM

BMW 420d xDrive Gran Coupe

Transmission

Type of transmission	6-speed manual (8-speed Steptronic)		
Gear ratios	I	:1	4.110 (5.000)
	II	:1	2.248 (3.200)
	III	:1	1.403 (2.143)
	IV	:1	1.000 (1.720)
	V	:1	0.802 (1.314)
	VI	:1	0.659 (1.000)
	VII	:1	– (0.822)
	VIII	:1	– (0.640)
	R	:1	3.727 (3.456)
Final drive		:1	3.154 (2.813)

Performance

Power-to-weight ratio (DIN)	kg/kW	11.4 (11.5)
Output per litre	kW/l	70.2
Acceleration 0–100 km/h	s	7.6 (7.4)
Top speed	km/h	235 (230)

BMW EfficientDynamics

BMW EfficientDynamics standard features	Brake Energy Regeneration with recuperation display, Electric Power Steering (EPS), Auto Start Stop function, Optimum Shift Indicator, ECO PRO mode with coasting function (automatic transmission), intelligent lightweight construction, optimised aerodynamic attributes, on-demand operation of ancillary units, map-regulated oil pump, rear differential with optimised warm-up behaviour, tyres with reduced rolling resistance
---	--

Fuel Consumption EU ²⁾

With standard wheels and tyres		
urban	l/100 km	5.6 (5.2)
inter-urban	l/100 km	4.0 (4.1)
combined	l/100 km	4.6 (4.5)
CO ₂	g/km	121 (118)
With 8J x 18 wheels and 225/45 R18 tyres / with winter tyres, with 8J x 18 wheels (front), 8.5J x 18 (rear) and 225/45 R18 tyres (front), 255/40 R18 (rear), with 8J x 19 wheels (front), 8.5J x 19 (rear) and 225/40 R19 tyres (front), 255/35 R19 (rear)		
urban	l/100 km	5.9 (5.6)
inter-urban	l/100 km	4.3 (4.3)
combined	l/100 km	4.9 (4.8)
CO ₂	g/km	129 (126)
Emission rating		EU6

Specifications apply to ACEA markets/data relevant to homologation applies in part only to Germany (weight)
Figures in brackets apply to models with automatic transmission

¹⁾ Oil change

²⁾ Fuel consumption and CO₂ emissions depend on the selected tyre format

BMW 4 Series Gran Coupe. 430d.

BMW 430d Gran Coupe		
Body		
No of doors / seats		4 / 5
Length / width / height (unladen)	mm	4640 / 1825 / 1389
Wheelbase	mm	2810
Track, front / rear	mm	1545 / 1592
Ground clearance	mm	130
Turning circle	m	11.3
Fuel tank capacity	approx. l	57
Engine oil ¹⁾	l	6.5
Weight, unladen, to DIN/EU	kg	1615 / 1690
Max load to DIN	kg	560
Max permissible weight	kg	2175
Max axle load, front / rear	kg	990 / 1225
Max trailer load, braked (12%) / unbraked	kg	1800 / 750
Max roofload / max towbar	kg	75 / 75
Luggage comp capacity	l	480 – 1300
Air resistance	cd x A	0.29 x 2.16
Power Unit		
Config/No of cyls/valves		R / 6 / 4
Engine technology		BMW TwinPower Turbo technology: variable-geometry turbocharger, common-rail direct injection with solenoid valve injectors, max. injection pressure: 1800 bar
Effective capacity	cc	2993
Stroke / bore	mm	90.0 / 84.0
Compression ratio	:1	16.5
Fuel		Diesel
Max output	kW/hp	190 / 258
at	rpm	4000
Max torque	Nm/lb-ft	560/413
at	rpm	1500 – 3000
Electrical System		
Battery/installation	Ah/–	90 / Luggage
Driving Dynamics and Safety		
Suspension, front		Aluminium double-joint spring strut axle with displaced camber, small positive steering roll radius, traverse force compensation, anti-dive
Suspension, rear		Five-link axle in lightweight construction
Brakes, front		Single-piston floating-calliper disc brakes / vented
Brakes, rear		Single-piston floating-calliper disc brakes / vented
Driving stability systems		Standard: DSC incl. ABS, ASC and DTC (Dynamic Traction Control), Cornering Brake Control (CBC), Dynamic Brake Control (DBC), Dry Braking function, Fading Compensation, Start-Off Assistant
Safety equipment		Standard: airbags for driver and front passenger, side airbags for driver and front passenger, head airbags for 1st and 2nd seat row, three-point inertia-reel belts on all seats, integrated at the front with belt tensioners and belt force limiter, crash sensors, tyre pressure indicator
Steering		Electric Power Steering (EPS) with Servotronic function; optional: Variable Sport Steering
Steering ratio, overall	:1	15.0
Tyres, front / rear		225/50 R17 94W
Rims, front / rear		7.5J x 17 LM

BMW 430d Gran Coupe

Transmission

Type of transmission			8-speed Steptronic
Gear ratios	I	:1	4.714
	II	:1	3.143
	III	:1	2.106
	IV	:1	1.667
	V	:1	1.285
	VI	:1	1.000
	VII	:1	0.839
	VIII	:1	0.667
	R	:1	3.317
Final drive		:1	2.563

Performance

Power-to-weight ratio (DIN)	kg/kW	8.5
Output per litre	kW/l	63.5
Acceleration 0–100 km/h	s	5.6
Top speed	km/h	250

BMW EfficientDynamics

BMW EfficientDynamics standard features	Brake Energy Regeneration with recuperation display, Electric Power Steering (EPS), Auto Start Stop function, ECO PRO mode with coasting function, intelligent lightweight construction, optimised aerodynamic attributes, on-demand operation of ancillary units, differential with optimised warm-up behaviour, tyres with reduced rolling resistance
---	---

Fuel Consumption EU ²⁾

With standard wheels and tyres		
urban	l/100 km	5.9
inter-urban	l/100 km	4.6
combined	l/100 km	5.1
CO ₂	g/km	134
With 8J x 18 wheels and 225/45 R18 tyres / with winter tyres, with 8J x 18 wheels (front), 8.5J x 18 (rear) and 225/45 R18 tyres (front), 255/40 R18 (rear), with 8J x 19 wheels (front), 8.5J x 19 (rear) and 225/40 R19 tyres (front), 255/35 R19 (rear)		
urban	l/100 km	6.1
inter-urban	l/100 km	4.8
combined	l/100 km	5.3
CO ₂	g/km	139
Emission rating		EU6

Specifications apply to ACEA markets/data relevant to homologation applies in part only to Germany (weight)

¹⁾ Oil change

²⁾ Fuel consumption and CO₂ emissions depend on the selected tyre format

BMW 4 Series Gran Coupe. 430d xDrive, 435d xDrive.

		BMW 430d xDrive Gran Coupe	BMW 435d xDrive Gran Coupe
Body			
No of doors / seats		4 / 5	4 / 5
Length / width / height (unladen)	mm	4640 / 1825 / 1404	4640 / 1825 / 1404
Wheelbase	mm	2810	2810
Track, front / rear	mm	1543 / 1592	1543 / 1592
Ground clearance	mm	145	145
Turning circle	m	11.8	11.8
Fuel tank capacity	approx. l	57	57
Engine oil ¹⁾	l	6.5	6.5
Weight, unladen, to DIN/EU	kg	1680 / 1755	1700 / 1775
Max load to DIN	kg	560	560
Max permissible weight	kg	2240	2260
Max axle load, front / rear	kg	1050 / 1230	1060 / 1230
Max trailer load, braked (12%) / unbraked	kg	1800 / 750	1800 / 750
Max roofload / max towbar	kg	75 / 75	75 / 75
Luggage comp capacity	l	480 – 1300	480 – 1300
Air resistance	cd x A	0.29 x 2.16	0.30 x 2.16
Power Unit			
Config/No of cyls/valves		R / 6 / 4	R / 6 / 4
Engine technology		BMW TwinPower Turbo technology: variable-geometry turbocharger, common-rail direct injection with solenoid valve injectors, max. injection pressure: 1800 bar	BMW TwinPower Turbo technology: multi-stage high-pressure turbocharging with variable turbine geometry, common-rail direct injection with piezo injectors, max. injection pressure: 2000 bar
Effective capacity	cc	2993	2993
Stroke / bore	mm	90.0 / 84.0	90.0 / 84.0
Compression ratio	:1	16.5	16.5
Fuel		Diesel	Diesel
Max output	kW/hp	190 / 258	230 / 313
at	rpm	4000	4400
Max torque	Nm/lb-ft	560/413	630/464
at	rpm	1500 – 3000	1500 – 2500
Electrical System			
Battery/installation	Ah/-	90 / Luggage compartment	90 / Luggage
Driving Dynamics and Safety			
Suspension, front		Aluminium double-joint spring strut axle with displaced camber, small positive steering roll radius, traverse force compensation, anti-dive	
Suspension, rear		Five-link axle in lightweight construction	
Brakes, front		Single-piston floating-calliper disc brakes / vented	
Brakes, rear		Single-piston floating-calliper disc brakes / vented	
Driving stability systems		Standard: DSC incl. ABS, ASC and DTC (Dynamic Traction Control), Cornering Brake Control (CBC), Dynamic Brake Control (DBC), Dry Braking function, Fading Compensation, Start-Off Assistant, cross-linking with xDrive all-wheel-drive system in the Integrated Chassis Management (ICM)	
Safety equipment		Standard: airbags for driver and front passenger, side airbags for driver and front passenger, head airbags for 1st and 2nd seat row, three-point inertia-reel belts on all seats, integrated at the front with belt tensioners and belt force limiter, crash sensors, tyre pressure indicator	
Steering		Electric Power Steering (EPS) with Servotronic function; optional: Variable Sport Steering	
Steering ratio, overall	:1	15.1	15.2
Tyres, front / rear		225/50 R17 94W	225/50 R17 94W
Rims, front / rear		7.5J x 17 LM	7.5J x 17 LM

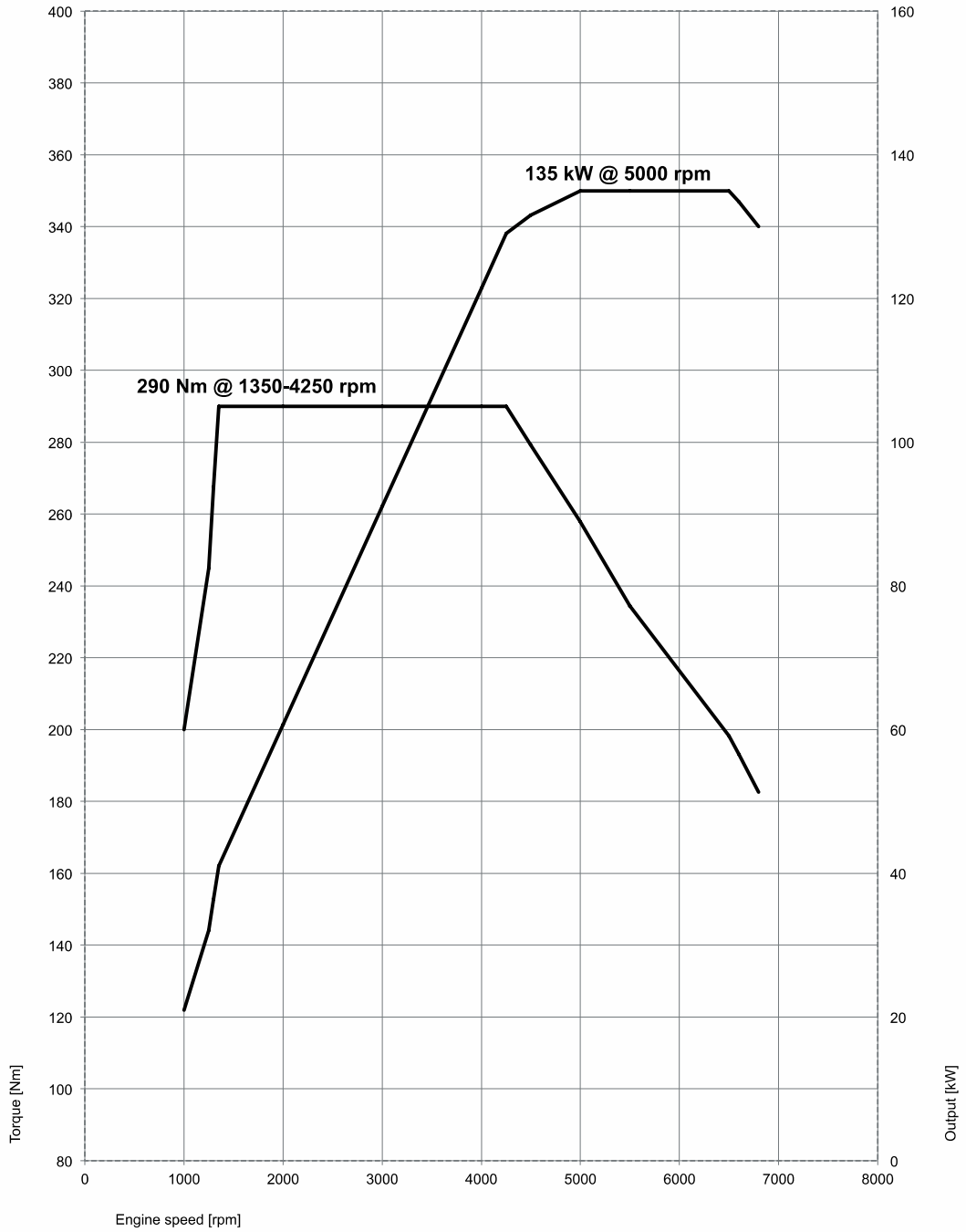
			BMW 430d xDrive Gran Coupe	BMW 435d xDrive Gran Coupe
Transmission				
Type of transmission	8-speed Steptronic			
Gear ratios	I	:1	4.714	4.714
	II	:1	3.143	3.143
	III	:1	2.106	2.106
	IV	:1	1.667	1.667
	V	:1	1.285	1.285
	VI	:1	1.000	1.000
	VII	:1	0.839	0.839
	VIII	:1	0.667	0.667
	R	:1	3.317	3.317
Final drive		:1	2.563	2.563
Performance				
Power-to-weight ratio (DIN)	kg/kW		8.8	7.4
Output per litre	kW/l		63.5	76.8
Acceleration 0–100 km/h	s		5.3	4.8
Top speed	km/h		250	250
BMW EfficientDynamics				
BMW EfficientDynamics standard features	Brake Energy Regeneration with recuperation display, Electric Power Steering (EPS), Auto Start Stop function, ECO PRO mode with coasting function, intelligent lightweight construction, optimised aerodynamic attributes, on-demand operation of ancillary units, rear differential with optimised warm-up behaviour, tyres with reduced rolling resistance			
Fuel Consumption EU²⁾				
With standard wheels and tyres				
urban	l/100 km		6.2	6.7
inter-urban	l/100 km		4.9	4.9
combined	l/100 km		5.3	5.6
CO ₂	g/km		140	146
With 8J x 18 wheels and 225/45 R18 tyres / with winter tyres, with 8J x 18 wheels (front), 8.5J x 18 (rear) and 225/45 R18 tyres (front), 255/40 R18 (rear), with 8J x 19 wheels (front), 8.5J x 19 (rear) and 225/40 R19 tyres (front), 255/35 R19 (rear)				
urban	l/100 km		6.4	6.7
inter-urban	l/100 km		5.0	5.1
combined	l/100 km		5.5	5.7
CO ₂	g/km		145	150
Emission rating			EU6	EU6

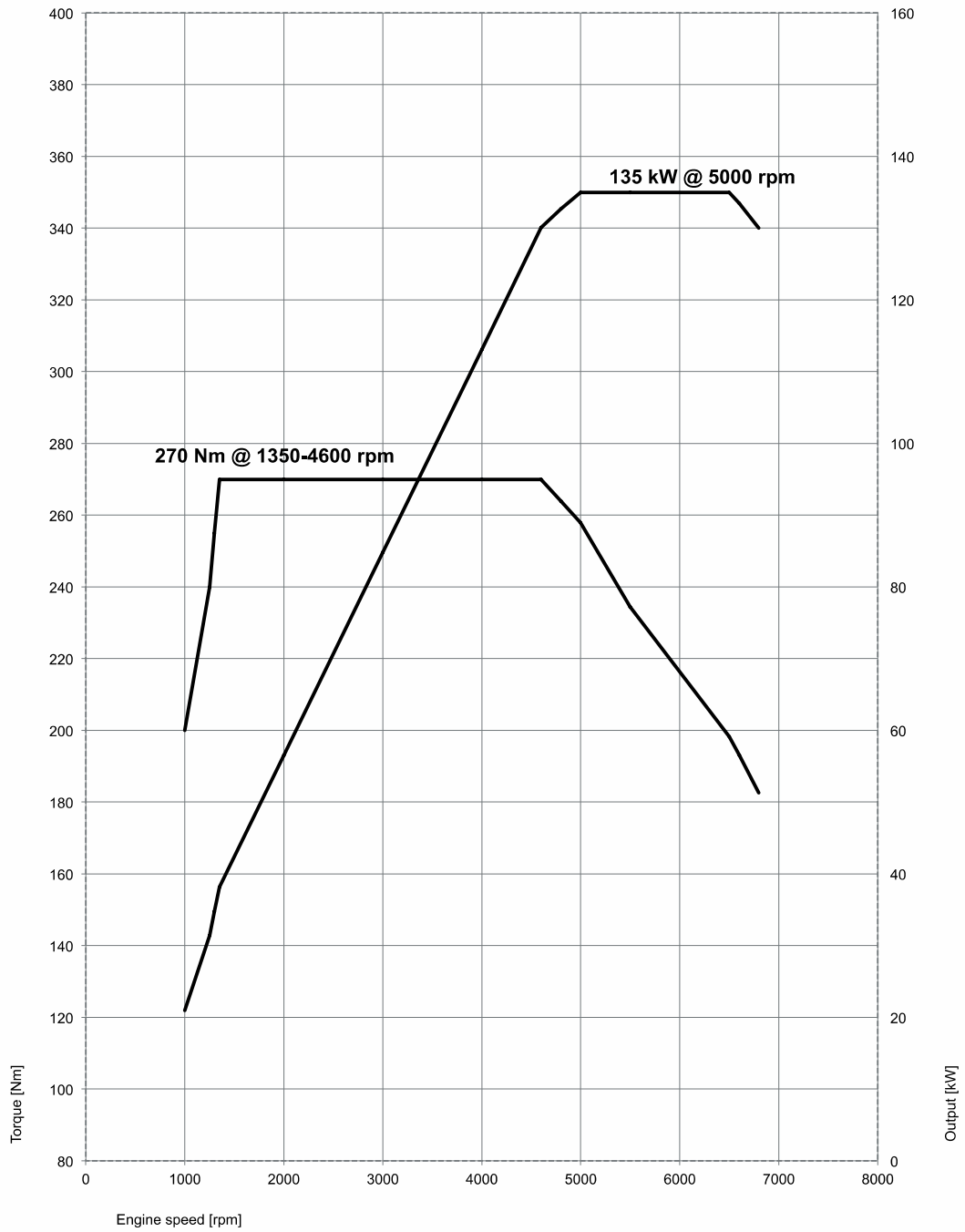
Specifications apply to ACEA markets/data relevant to homologation applies in part only to Germany (weight)

¹⁾ Oil change

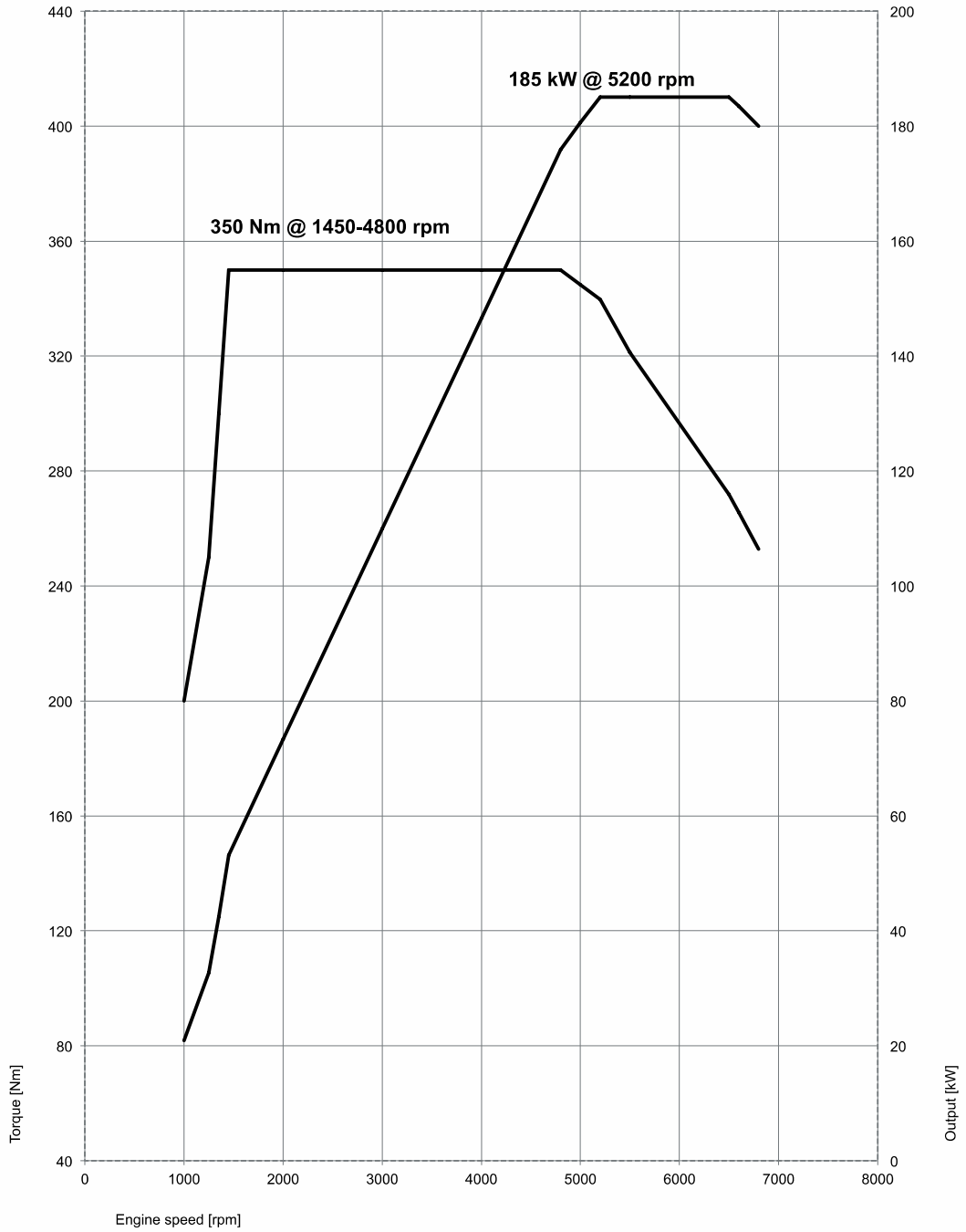
²⁾ Fuel consumption and CO₂ emissions depend on the selected tyre format

Output and torque diagrams. BMW 420i.

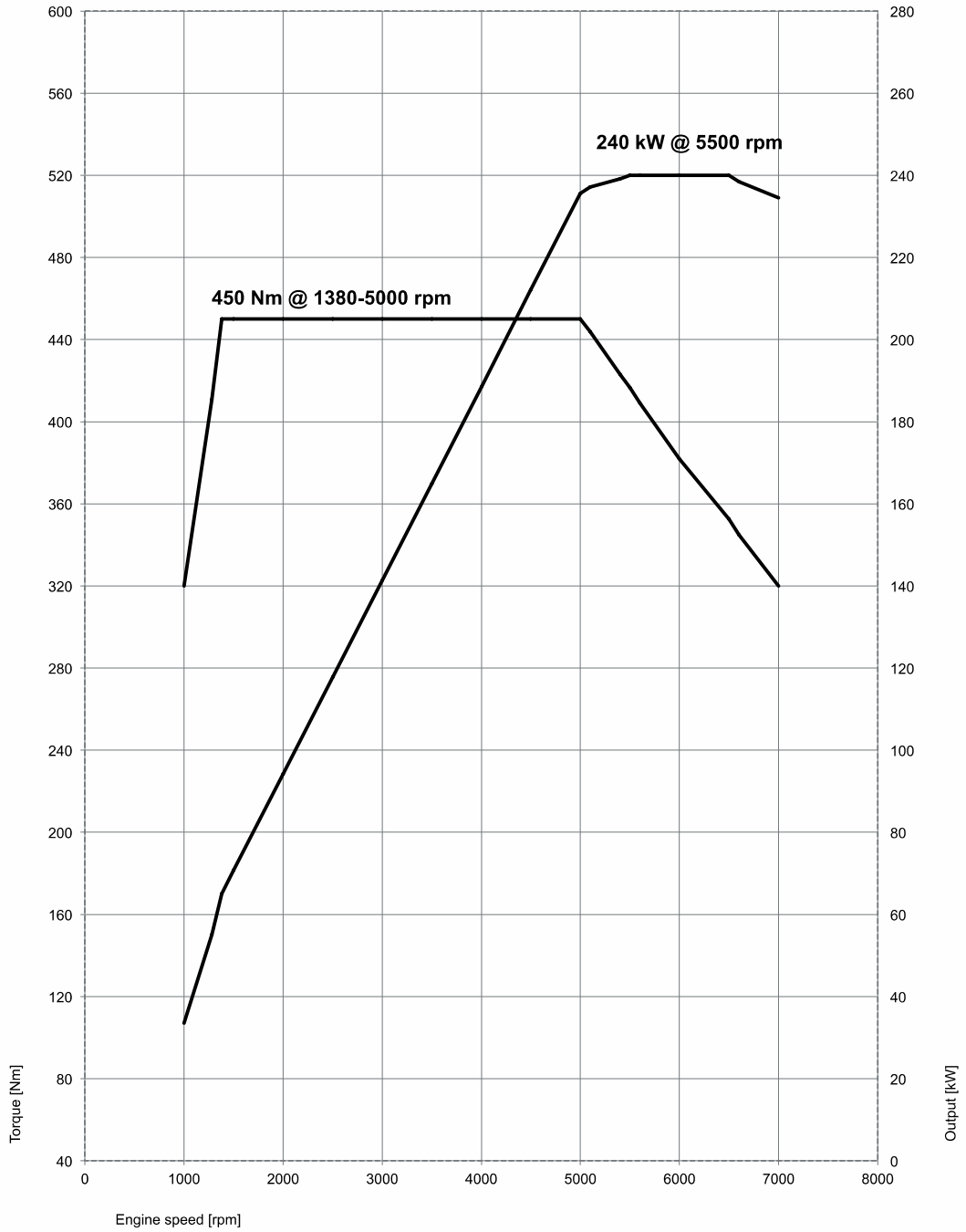


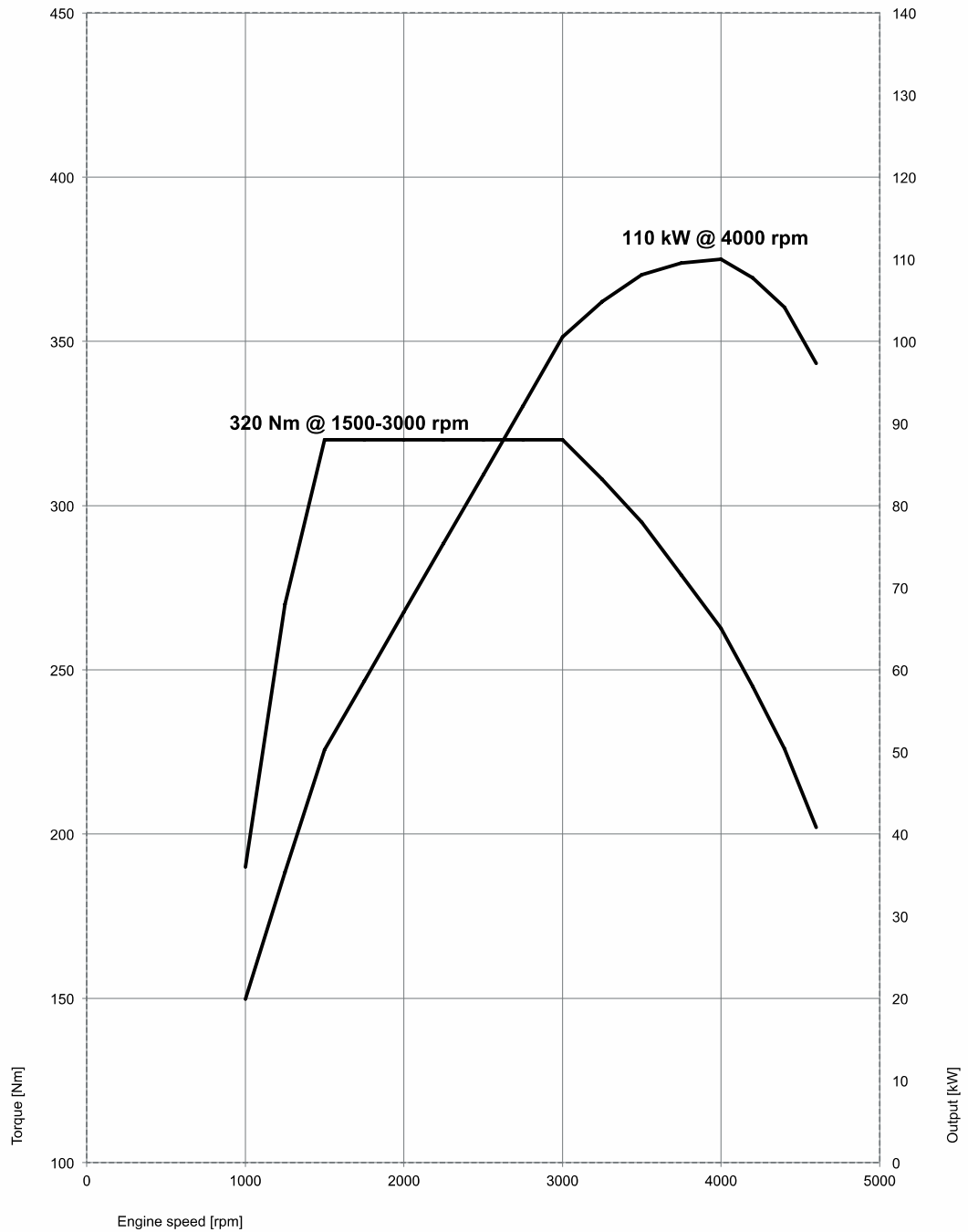


BMW 430i, 430i xDrive.

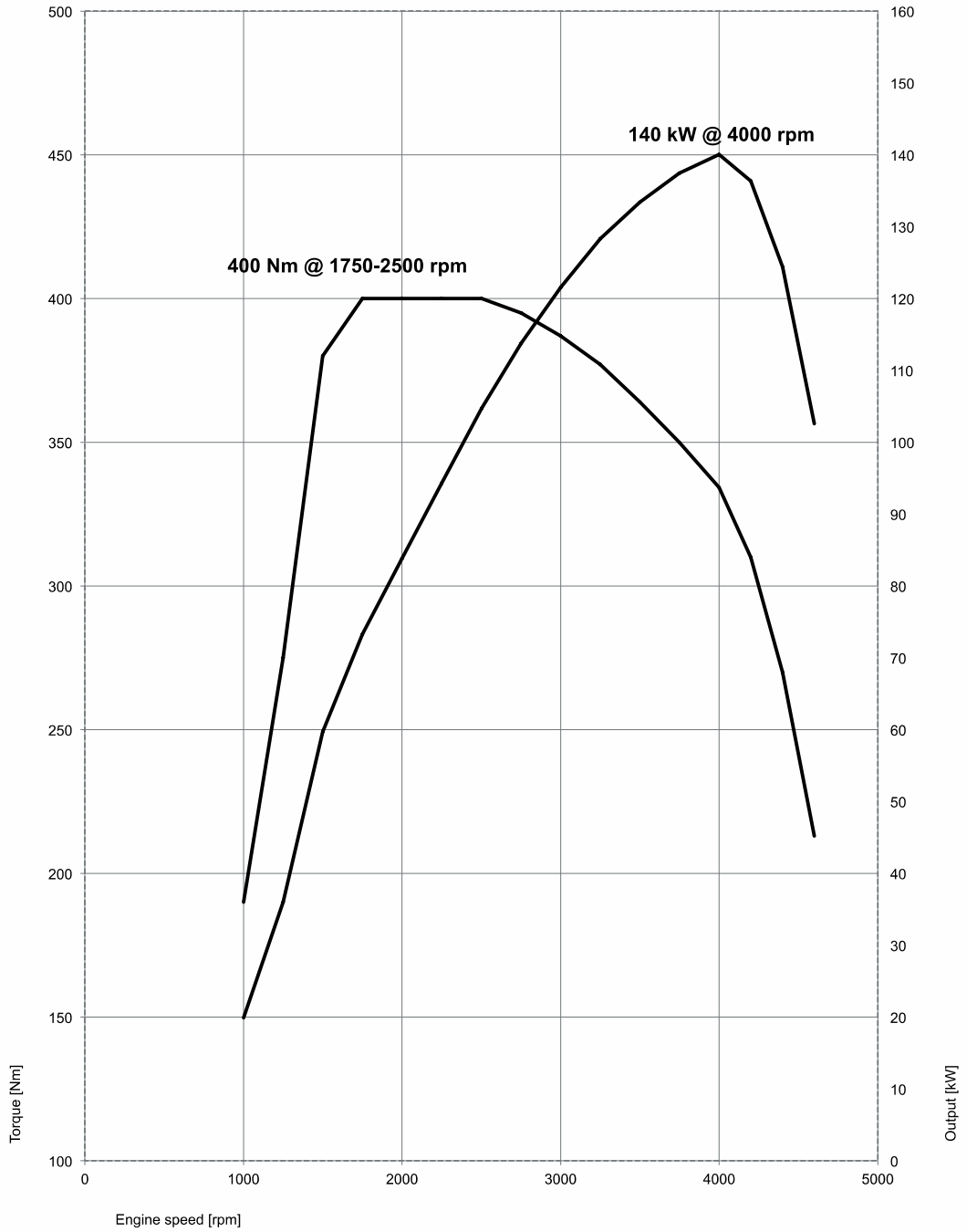


BMW 440i, 440i xDrive.

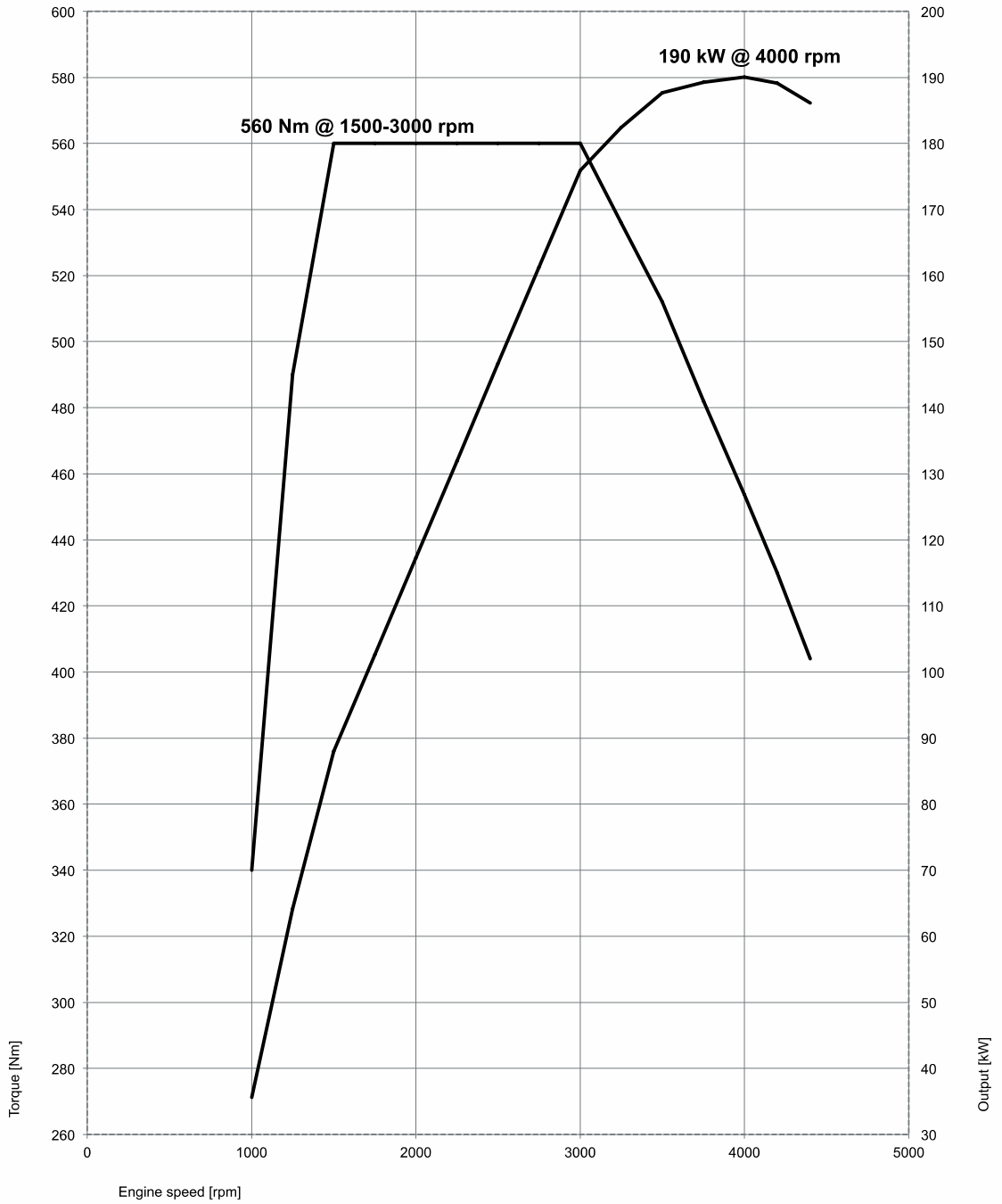


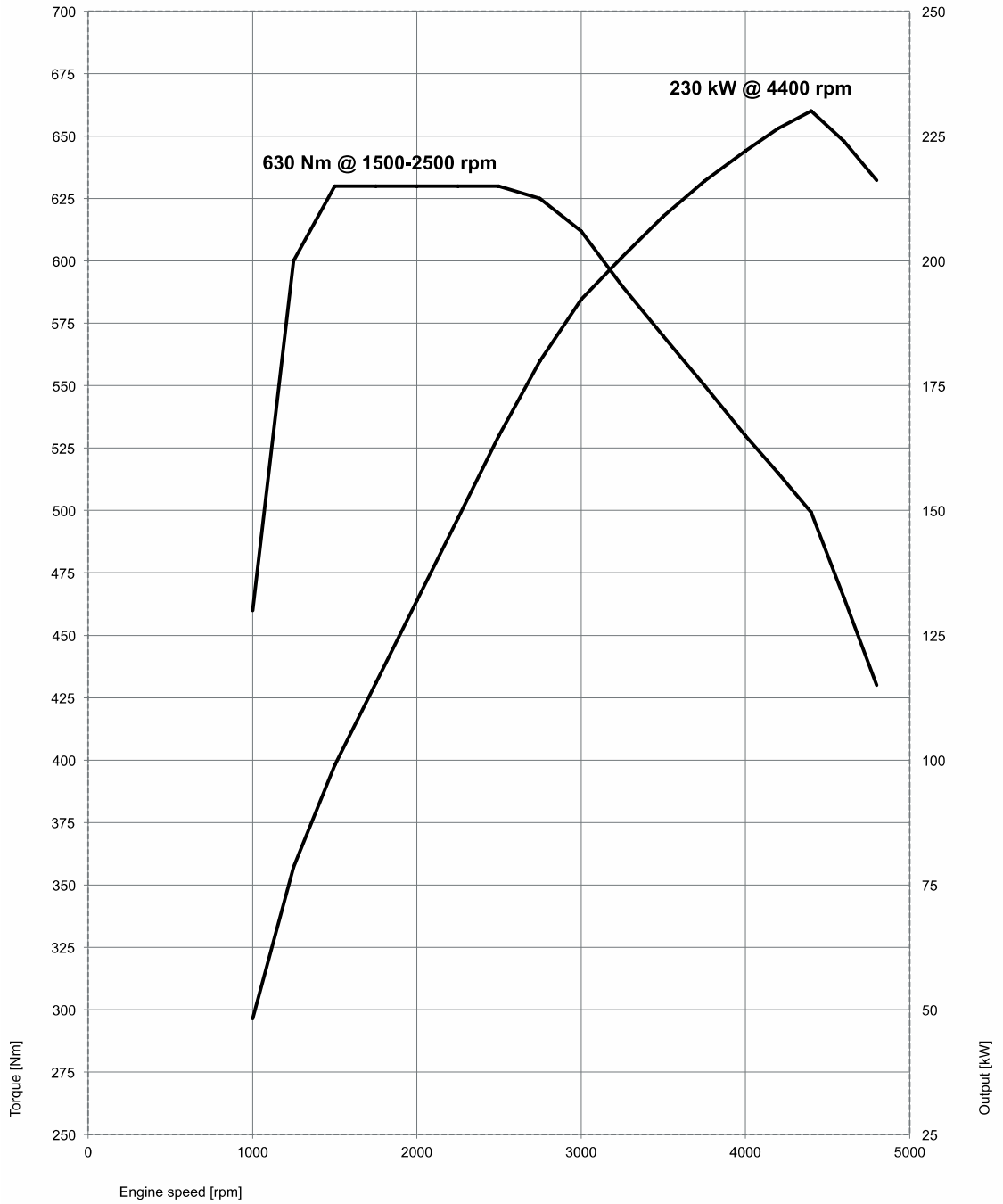


BMW 420d, 420d xDrive.

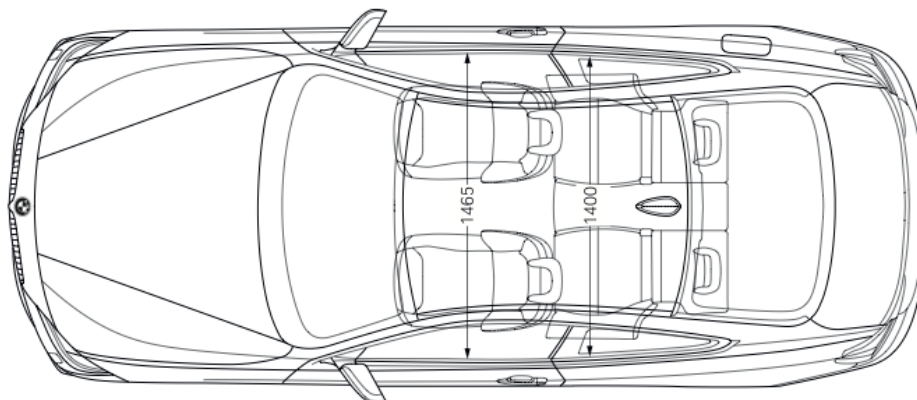
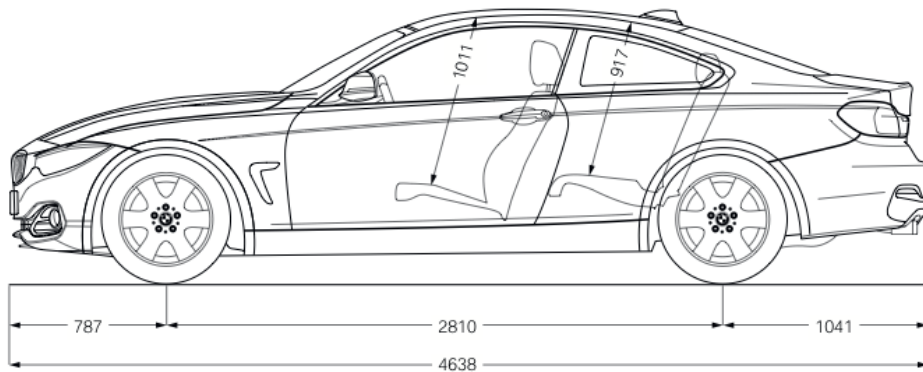
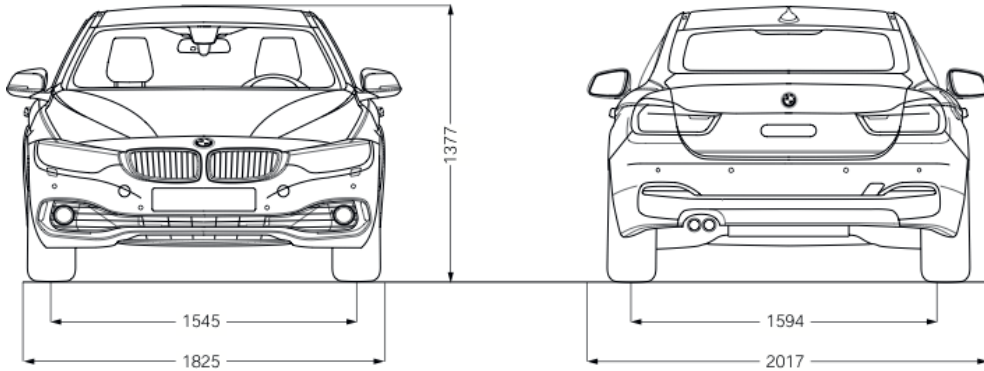


BMW 430d, 430d xDrive.

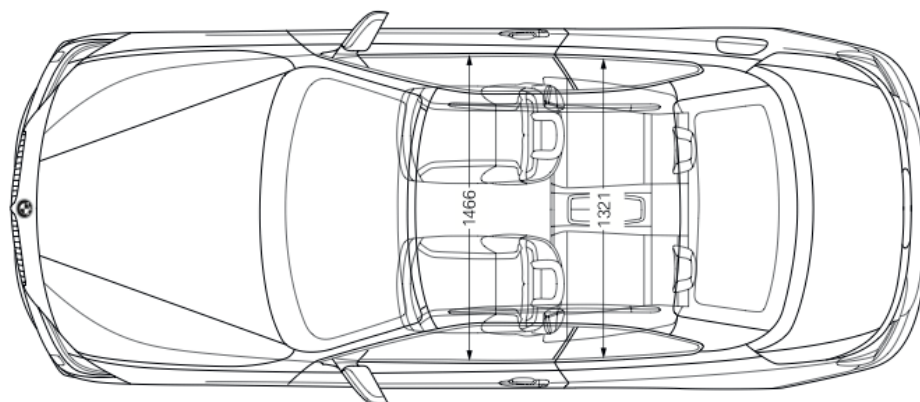
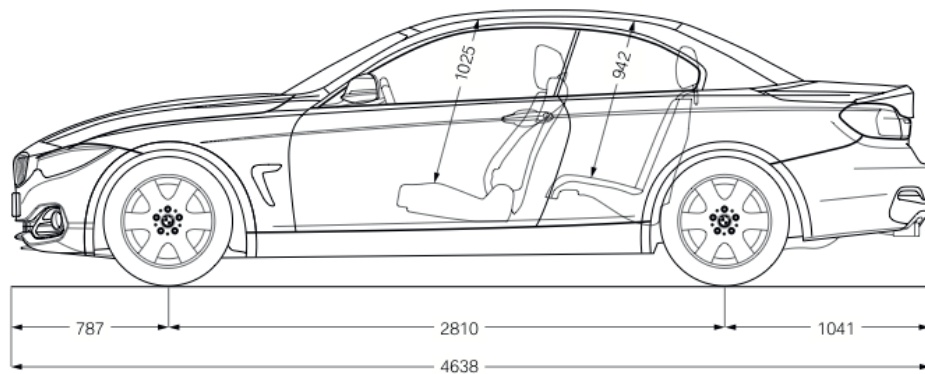
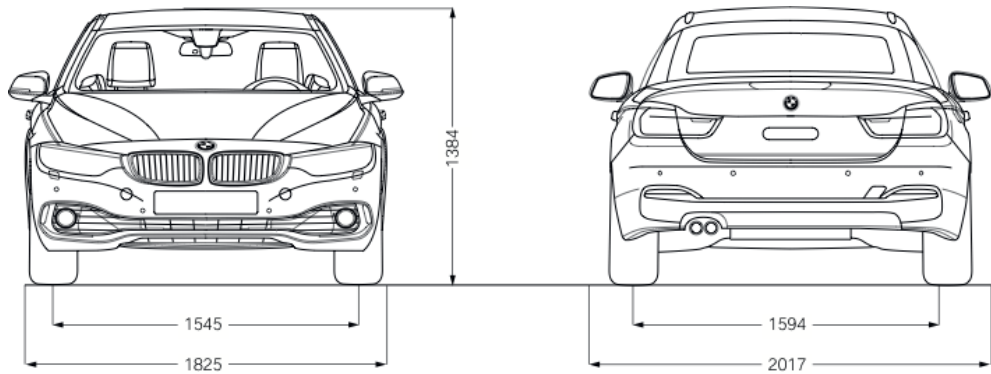




Exterior and interior dimensions. BMW 4 Series Coupe.



BMW 4 Series Convertible.



BMW 4 Series Gran Coupe.

